

Important Safety Information

This product, model no. QUAD4X-US, is CE certified. Keep the product a safe distance from open flame sources. Do not submerge or otherwise splash or drip liquids on the product. Dispose of depleted batteries properly.



Inserting Batteries

Remove the door on the rear of the unit and insert two (2) AAA batteries as indicated. Please note that the batteries fit snugly in the battery holder and may need to be nudged to ensure that both ends are fully touching the metal contacts.

Setting the Time

- 1) Set the inner **Mode Dial** to "Time".
The display indicates the time.
- 2) Press and hold the **Start | Pause** button for two (2) seconds.
The display flashes 12 Hr.
- 3) If desired, turn the dimpled outer collar to toggle the clock format between 12-hour and 24-hour.
- 4) Press **Start | Pause** again, once quickly, to confirm your choice.
The display now flashes the time.
- 5) Turn the collar to enter the correct time. Be careful not to move the inner **Mode Dial** accidentally.
- 6) To complete setup, press **Start | Pause**, once quickly.
The display stops flashing. Please note: Setup will also exit automatically after a short period of inactivity.

American Innovative, LLC * Limited Warranty

Coverage

American Innovative, LLC warrants this product against defects in original material and workmanship for a period of ninety (90) days, under normal use and conditions.

Non-Coverage

This warranty does not cover customer instruction, installation, or set up problems. This warranty does not cover cosmetic damage or damage resulting from acts of God, accident, misuse, abuse, negligence, commercial application (or rental), or modification. This warranty does not cover damage due to improper operation or maintenance, connection to an improper voltage supply, or attempted repair by anyone other than American Innovative, LLC or American Innovative, LLC authorized service facilities. This warrantee does not cover products sold "as is" or "with all faults". This warrantee is valid only in the United States and is invalid if the product serial number has been altered or removed.

Making a Warranty Claim

Please check <http://www.americaninnovative.com/service/> for the latest information pertaining to warranty claims. To obtain warranty service, contact American Innovative customer service via electronic mail at service@americaninnovative.com, or call 617.395.7831 or 866.663.2393. At the company's discretion, American Innovative will repair or replace the defective unit. Proof of purchase in the form of a bill of sale or receipted invoice which is evidence that the unit is within the warranty period must be presented to obtain warranty service.

Other Information

REPAIR OR REPLACEMENT AS PROVIDED UNDER THIS WARRANTY IS THE EXCLUSIVE REMEDY OF THE CONSUMER. ANY APPLICABLE IMPLIED WARRANTIES, INCLUDING THE WARRANTY OF MERCHANTABILITY, ARE LIMITED IN DURATION TO A PERIOD OF THE EXPRESSED WARRANTY AS PROVIDED ABOVE, BEGINNING WITH THE ORIGINAL DATE OF PURCHASE. NO WARRANTIES, WHETHER EXPRESSED OR IMPLIED, SHALL APPLY TO THE PRODUCT THEREAFTER. WE MAKE NO WARRANTY AS TO THE FITNESS OF THE PRODUCT FOR ANY PARTICULAR PURPOSE OR USE.

THE EXTENT OF OUR LIABILITY UNDER THIS LIMITED WARRANTY IS THE REPAIR OR REPLACEMENT PROVIDED ABOVE AND IN NO EVENT WILL OUR LIABILITY EXCEED THE PURCHASE PRICE PAID BY THE PURCHASER. UNDER NO CIRCUMSTANCES WILL WE BE LIABLE FOR ANY LOSS, DIRECT, INDIRECT, INCIDENTAL, SPECIAL, OR CONSEQUENTIAL DAMAGE ARISING OUT OF OR IN CONNECTION WITH THE USE OF THIS PRODUCT.

Applicability of State Law

THIS WARRANTY GIVES YOU SPECIFIC LEGAL RIGHTS, BUT YOU MAY ALSO HAVE OTHER RIGHTS WHICH VARY FROM STATE TO STATE. SOME STATES DO NOT ALLOW LIMITATIONS ON IMPLIED WARRANTIES OR EXCLUSION OR LIMITATION OF INCIDENTAL OR CONSEQUENTIAL DAMAGE, SO THESE RESTRICTIONS MAY NOT APPLY TO YOU.

Printed in China.

Chef's

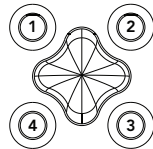
Quad-Timer

QUAD4W-US & QUAD4B-US (PROFESSIONAL)

(cover image omitted to reduce PDF file size)

Instructions for Use

Visit American Innovative on the web at www.americaninnovative.com



Burner Indicators

The four (4) lamps correspond to the four numbered timers. Lamps glow green for running timers and flash red when expired.

Mode Dial (Inner)

Off: Turn LCD off.

Time: Display time of day.

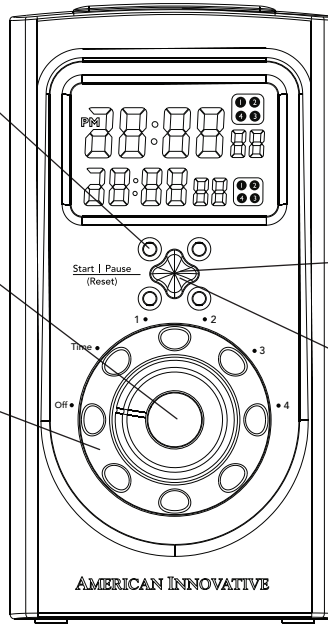
1-4: Select the active (adjustable) timer. The active timer is always visible in the Main Display (the upper one).

Value-Entry Collar (+/-)

Turn the dimpled collar clockwise to increment the active timer, counter-clockwise to decrement. Timers may also be adjusted while running.

Note

To adjust a timer visible in the Sub-Display, first make it active in the Main Display using the inner **Mode Dial**.



Main Display

Sub-Display

Mute | Toggle (top of unit)

Mute: Press to silence expired timers. Expired timers count up from 0:00:00 until silenced.

Toggle: If no timer is sounding, use this button to select which timer is visible in the Sub-Display. Note: For convenience, the first running timer is automatically placed in the Sub-Display once a second timer is set.

Start | Pause (Reset)

Start | Pause: The active timer (the one visible in the upper display) may be started or stopped using this button.

Reset: Press and hold this button for two (2) seconds to reset the active timer. Continue to hold this button for three (3) more seconds to reset all timers at once (global reset).

Batch Feature

Batch: If the active timer is expired (0:00:00), press this button to recall the last value entered. This function is convenient for repeatedly timing batches of cookies, for example.