

English 1-5

Español Français Deutsch 6-18

FOLLOW THESE STEPS TO SET UP WALL AND MANTEL CLOCKS.

• SETTING UP YOUR CLOCK

Located in the shipping carton with the clock will be a key to wind the clock. If provided on your model, the shipping carton may also include a pendulum and finial that are separately packed. Please keep all of the original packaging material.

WARNING: KEEP PLASTIC BAGS AND SMALL PARTS AWAY FROM CHILDREN.

Access to the clock movement and chimes is made through the back of the clock. Howard Miller uses a combination of rubber bands, foam, styrofoam, metal, and cardboard to secure the movement and chimes during shipping. Cut rubber bands with scissors and discard. **DO NOT PULL ON THE RUBBER BANDS TO BREAK.**

Remove foam, styrofoam, and cardboard from around the movement and chimes.

For clocks with a pendulum, cut the rubber band or remove the metal spring clip from the back side of the movement by first pulling one end free. (See figure 2).

Open the front door and remove the white plastic insert holding the minute hand at the 3:00 location (this insert is not used on all models).

Follow the remaining instructions as they apply to your clock.

• **FOR CLOCKS THAT HAVE A PENDULUM** - Follow these instructions for hanging pendulum.

NOTE: To perform the following steps, Howard Miller suggests wearing cotton gloves or using a soft cloth when handling parts.

Some pendulums have a colored protective plastic film covering the pendulum disk. Carefully remove this film before hanging the pendulum.

To hang the pendulum, locate the pendulum guide through the front door or back access panel. While holding the pendulum guide with one hand, slip the pendulum through the front door with your other hand. Place the pendulum hook over the pin or through the slot on the end of the pendulum guide, and lower the pendulum until it is hanging securely on the pendulum guide. (See figure 2).

• **FOR CLOCKS THAT HAVE AN OPERATING MOON DIAL** - Follow these instructions for setting the moon dial.

NOTE: To perform the following steps, Howard Miller suggests wearing cotton gloves or using a soft cloth when handling parts.

To set the moon dial, apply slight pressure with your fingers to the front of the moon dial. Rotate the moon dial clockwise until the moon is directly below #15. (See figure 3). If the moon dial will not rotate see Trouble Shooting Section.

Using an almanac or calendar, determine the date of the last full moon. Count the number of days past the last full moon. Turn the moon dial clockwise one click for every day past the full moon. The moon dial is now set and will indicate the proper moon phases as long as the clock operates continuously. If the clock stops for more than 24 hours, the moon dial will also stop, and must be reset when the clock is started again.

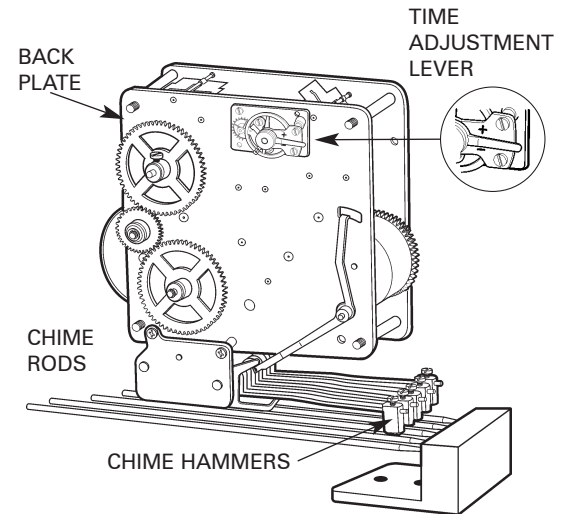


FIGURE 1

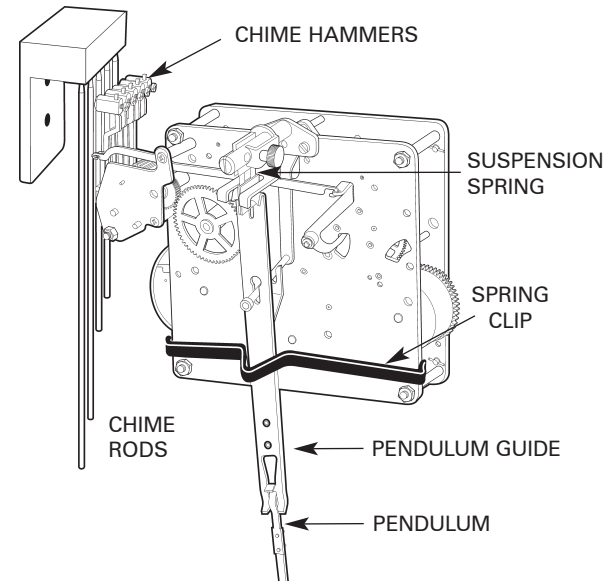


FIGURE 2

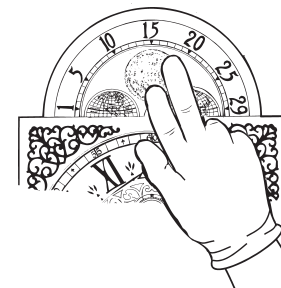


FIGURE 3

- **FOR CLOCKS THAT HAVE HANGING WEIGHTS** - Follow these instructions for hanging weights.

Do not remove the styrofoam blocks until after your clock has been operating for at least twelve (12) hours.

Check the weights to ensure that they are tightly assembled. Check to make sure that the cable is in the cable pulley. Hang the weights on the pulley. (See figure 4).

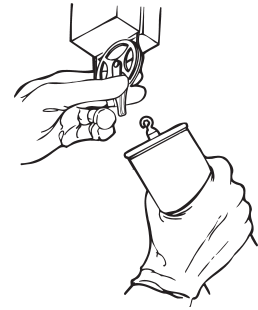


FIGURE 4

- **FOR ALL CLOCKS - SETTING TIME** (moving the hands)

To set the time, move **ONLY THE MINUTE HAND** counterclockwise (backwards) until the hour and minute hand are at the correct time. (See figure 5). **DO NOT MOVE THE HOUR HAND WHEN SETTING THE TIME.** The hour hand will move automatically when the minute hand is moved. By moving the minute hand counterclockwise it is not necessary to wait for the clock to chime as the minute hand passes each quarter hour.

The movement has a self correcting feature which synchronizes the chimes with the time. If after setting the clock on time, it does not chime properly, permit it to operate 12 hours to correct itself.

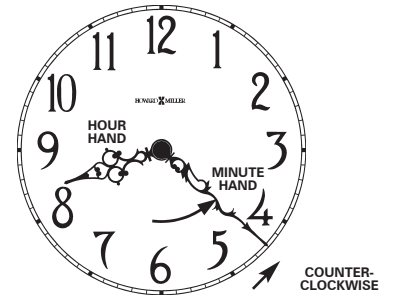


FIGURE 5

- **FOR ALL CLOCKS - STARTING CLOCK**

Clocks without a pendulum will start automatically if the clock is wound. To start clocks with a pendulum, reach through the front door of the clock and place your hand on the side of the pendulum disk. Move the pendulum to the far left of center and release. Let the clock operate a few minutes until the pendulum settles into an even swinging motion. (See figure 6). If your clock gains or loses time after 24 hours, see General Information Section to regulate the time keeping of your clock.

GENERAL INFORMATION

PRODUCT INFORMATION LABEL

The product information label identifies the clock model number and serial number. The clock model number and serial number are essential for obtaining parts or service. The product information label is located either on the back or bottom of the clock. Refer to this label when contacting your dealer or Howard Miller. For easy reference in the future, take a moment to record these numbers in the space provided on page 5 of these instructions. Attach your sales receipt to this manual for future reference.

WINDING YOUR CLOCK

Insert the winding key into the holes located in the dial face. (See figure 7). Depending upon the model of your clock, there can be 1, 2, or 3 winding key holes. Turn the key clockwise until the spring becomes tight and will not turn further. For clocks with hanging weights, raise the weights using the crank. **DO NOT** lift the weights by hand while cranking. Wind your clock once a week.

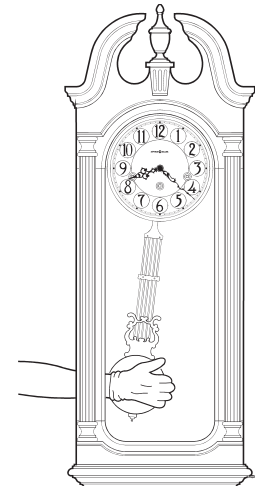


FIGURE 6

REGULATING TIME KEEPING

Day One

1. Select a time of day that will allow you to check your clock at the same time for at least six days.
2. Record time selected _____
3. Check correct time.
4. Re-set the minute hand to the exact, correct time.

Day Two, Three, Four, Five, Six (If Necessary)

1. Check correct time.
2. Compare time shown on your clock with correct time. Is your clock fast or slow?
3. Adjust as detailed under "Clocks with Pendulum" or "Clocks without Pendulum".
4. Check correct time.
5. Re-set the minute hand to exact, correct time.

Clocks with Pendulum

Changing the speed of time keeping is accomplished by moving the pendulum disk up or down. The pendulum disk is moved up or down by turning the adjustment nut. To slow the clock down, move the pendulum disk down by turning the adjustment nut to the left. To speed the clock up, move the pendulum disk up by turning the adjustment nut to the right. (See figure 8). Turn the adjustment nut one complete revolution for each half minute fast or slow per day. (24 hours).

Clocks without Pendulum

Changing the speed of time keeping is accomplished by moving the time adjustment lever. (See figure 1). To slow the clock, move the lever down towards the "-" (minus). To speed the clock up, move the lever up towards the "+" (plus).

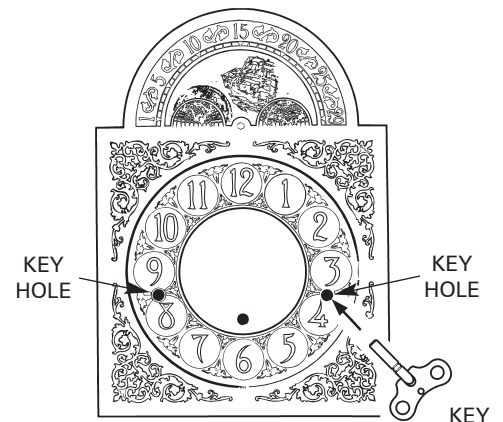


FIGURE 7

CHIME SELECTION

Selecting the chime melody is accomplished by moving a lever on or next to the clock dial. Some models play only the Westminster chime, while others give you a selection of three melodies.

If the dial states "WESTM-SILENT" or "STRIKE-SILENT", your clock has only the Westminster chime. If your clock has a triple chime movement, the chime lever identifies the melody choices.

Never change the selection while the clock is chiming or positioned near the release points. See figure 9 for when it is safe to move the chime selection lever without damaging the movement.

CARE AND MAINTENANCE

- Your clock requires little care and maintenance. Listed below are steps you can take to maintain the exceptional quality of your Howard Miller clock.
- Wind your clock every seven days.
- Wax and polish your clock cabinet as frequently as you do your other furniture. Use a non-silicone liquid or paste wax.
- When cleaning glass, use a non-ammonia glass cleaner. Never spray the cleaner directly on the clock.
- For clocks with hanging weights, check the weights occasionally to ensure that they are still tightly assembled.
- Avoid exposing the clock to direct sunlight or high intensity lighting which may fade the finish. Protect from extreme temperatures and humidity changes which may cause the wood to split or crack.
- It is recommended that your clock movement be oiled every two years from the date of purchase and thoroughly cleaned every five to ten years depending on climatic conditions. Extremely dry, humid or salty air, heat or cold may necessitate more frequent servicing. Howard Miller does not recommend that you service the clock movement yourself. Contact an authorized Howard Miller Service Center.

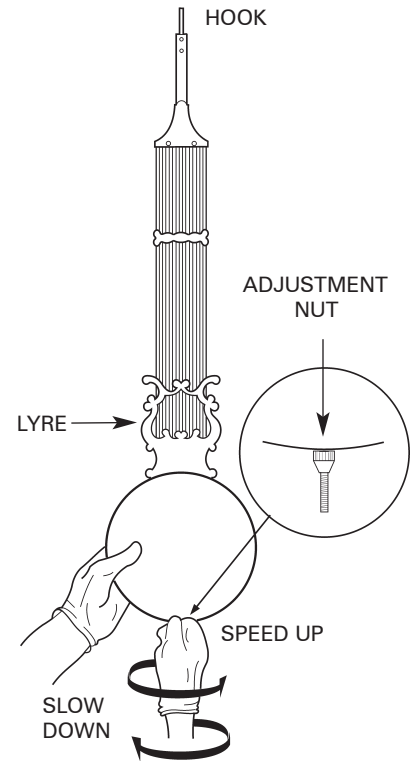


FIGURE 8

TROUBLE SHOOTING

Ensure that all instructions provided with your Howard Miller product have been carefully followed. These instructions will provide detailed information to answer most questions. Contact the Howard Miller web site (www.howardmiller.com) for a list of frequently asked questions that may conveniently resolve your problem or answer your questions.

CLOCK DOES NOT CHIME AT PROPER TIME

If the clock chimes more than one minute before or after the proper time, the minute hand should be removed and adjusted.

CAUTION: When performing this operation be careful not to scratch the hand nut, hand or dial.

1. When the clock starts to chime, stop the pendulum and record the time.
2. Using pliers, carefully remove the small nut that holds the minute hand in place by turning the nut counterclockwise while at the same time hold the minute hand with your fingers near the small nut.
3. Remove the hand from the hand shaft by grasping it with your fingers at the point where it attaches to the shaft. Pull the hand straight off. This hand is not screwed on and should come off easily. The minute hand has a small raised area on the back side directly around the shaft hole, this is the hand bushing. Using pliers, grip the bushing firmly by its sides so that it cannot slip in the pliers. With your other hand, turn the clock hand forward or backward the distance necessary to chime at the correct time. (See figure 10).
4. Re-attach the hand to the shaft and turn the hand nut finger tight. Make sure the hand points to the correct location that you recorded in Step 1 plus any corrections you made in step 3. If the hand does not point to the correct mark, repeat steps 2 and 3.
5. Snug up the hand nut with the pliers. Do not over tighten.
6. Start pendulum.
7. Re-set the time by moving **ONLY THE MINUTE HAND** backwards as described in the set-up operation.

EXAMPLE: Clock chimes at 1:10 but should chime at 1:15.

Step 1: When clock chimes at 1:10 stop the pendulum and record the time of 1:10. Step 2: Carefully remove the small nut. Step 3: Remove the minute hand. Grip the bushing by its sides and turn the hand forward 5 minutes. Step 4: Reattach the hand so it points to 1:15. Attach the hand nut finger tight. Step 5: Snug up the hand nut. Step 6: Start pendulum. Step 7: Reset clock to current time.

MOVE CHIME SELECTION LEVER ONLY WHEN MINUTE HAND IS IN SAFE TIME AREA

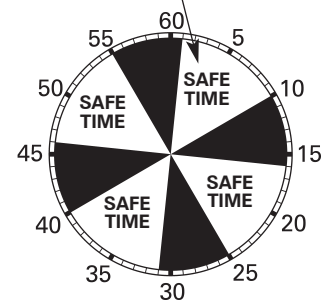


FIGURE 9

BACK SIDE OF MINUTE HAND

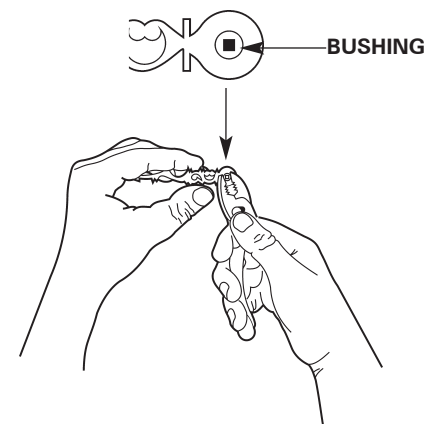


FIGURE 10

CLOCK DOES NOT STRIKE THE CORRECT HOUR

If after several hours of operation your clock does not strike the correct hour, grasp the **HOUR HAND ONLY** and move it forward or backward to line up with the correct hour on the dial indicated by the number of times the hour strikes. Rotating this hand independently will not damage the clock.

If the minute hand needs to be reset (to correct time), move the minute hand counterclockwise (backwards) as described in the "FOR ALL CLOCKS-SETTING TIME" section of these instructions.

CLOCK WILL NOT CHIME OR STRIKE

1. Make sure that the selection lever is not in the "silent" position or halfway between two chime melody positions?
2. Make sure that all the packing material is removed from the movement area.
3. Make sure that the clock is wound.
4. Check hammer adjustment and correct chime tone as necessary.
5. Lift all hammers approximately one inch and then let them return to their resting position.

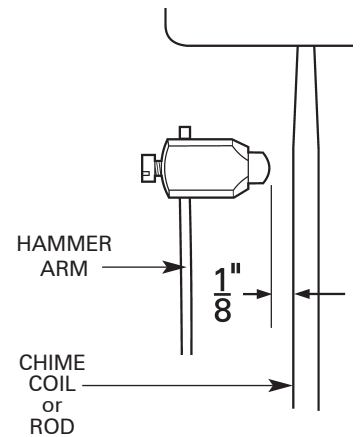


FIGURE 11

CHIMES HAVE THE INCORRECT TONE

DO NOT ADJUST CHIME HAMMERS, unless the chime tone is incorrect. Chime tone may be affected by the hammers resting on the chime rods or striking the rods off center. Although the hammers were set at the factory, it is possible for them to get out of adjustment. For most clocks, it will not be necessary to adjust chime hammers. There are different types of chimes (rods, coils and bells).

Chime hammer arms are made of brass and can be safely bent. If necessary, adjust hammers so that they do not interfere with each other while moving or striking the chime rods, chime coil or chime bell. This is accomplished by bending the hammer arms slightly in the middle so that each hammer rests approximately 1/8" from each rod or 1/8" from the coil or bell. (See figure 11). **DO NOT** bend the chime rods or chime coil. Chime volume cannot be adjusted.

CLOCK WILL NOT RUN

Although it is not recommended that you repair your own clock, you should check these items before contacting Howard Miller, your dealer, or an Authorized Service Center. Do not attempt any adjustment you do not feel confident in making.

1. Has all the packing material been removed from the movement area?
2. Did you wind the clock?
3. Is the clock level?
4. Do the hands operate without interference? Do not let the hour hand hit the second hand. If the second hand is rubbing the dial, pull it out slightly. If the hour hand is rubbing against the back of the minute hand, the hour hand should be pushed closer to the dial (put your thumb nails on the center portion of the hour hand and push).
5. Make sure the pendulum is hanging correctly in the pendulum guide.

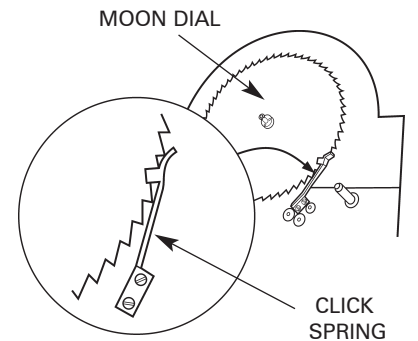


FIGURE 12

DIFFICULTY TURNING THE MOON DIAL

As you face the clock, remove the back access panel. Look at the back side of the dial and locate the click spring. Put your finger at the tip of the click spring. Pull the click spring approximately 1/2" back away from the saw tooth moon dial and then release. (See figure 12). The click spring and dial should snap into proper alignment. If the click spring is in its proper location and you still feel resistance when trying to advance the moon dial **DO NOT FORCE IT**. If the moon dial still cannot be easily advanced, this indicates that the gears that automatically advance the moon dial are engaged. To correct this rotate the minute hand backwards three hours as described in the set-up operation.

LIMITED WARRANTY

This product has been manufactured using only the very finest of materials and has been thoroughly tested prior to leaving our manufacturing facility.

Howard Miller warrants to the original consumer/purchaser or recipient that this product will be free from defects in material and workmanship under normal use and service for a period of one year from date of purchase. Howard Miller's obligation under this warranty shall be limited to repairing the product with new or renewed components or, at its option, replacing it with a new or renewed product. This warranty does not include damage to product or components resulting from abuse, accident, alteration, climatic/environmental conditions, damage beyond normal use, freight damage, mishandling, misuse, or unauthorized repair.

HOWARD MILLER DISCLAIMS ANY LIABILITY FOR INCIDENTAL OR CONSEQUENTIAL DAMAGES ARISING OUT OF BREACH OF THIS WARRANTY OR ANY IMPLIED WARRANTY. IMPLIED WARRANTIES ON THIS PRODUCT SHALL BE IN EFFECT ONLY FOR THE DURATION OF THE EXPRESS WARRANTY SET FORTH ABOVE AND THEREAFTER, THERE SHALL BE NO WARRANTIES, EXPRESS OR IMPLIED, (INCLUDING MERCHANTABILITY OR FITNESS FOR ANY PARTICULAR PURPOSE), ON THIS PRODUCT.

Some states do not allow the exclusion or limitation of incidental or consequential damages or the limitation on how long an implied warranty lasts so the above limitations or exclusions may not apply to you. This warranty gives you specific legal rights and you may also have other rights which vary from state to state.

SERVICE INFORMATION

Before pursuing service, ensure that all instructions provided with your Howard Miller clock have been carefully followed. These instructions will provide detailed information to answer most questions. Contact the Howard Miller web site (www.howardmiller.com) for a list of frequently asked questions that may conveniently resolve your problem or answer your question. Most problems can be quickly resolved without returning the clock for service. Before calling, please have these instructions and the following information available:

Model Number: _____ Serial Number: _____ Date of Purchase: _____ Where Purchased: _____

The model and serial number can be found on the Product Information Label (see General Information).

(A copy of the original bill of sale or proof of purchase or receipt date.)

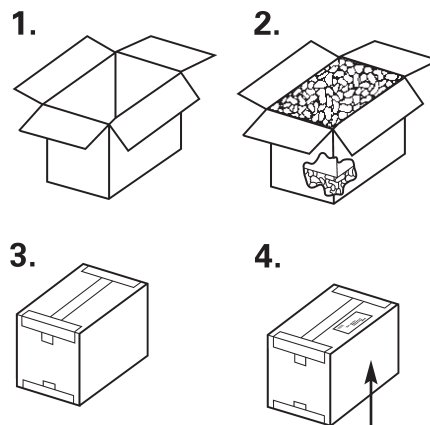
Brief Description of Problem: _____

PROCEDURES TO OBTAIN REPAIR SERVICE

- In the unlikely event that your clock appears to be malfunctioning or require repair, IN NORTH AMERICA please call one of our Repair Technicians at (616) 772-7277 (extension #386). OUTSIDE NORTH AMERICA please call your distributor or agent.
- Have a copy of the original bill of sale or other proof of purchase or receipt date available.
- Have the Howard Miller model number and serial number and a complete description of the problem available.
- Return Authorization is required for all returns to Howard Miller. If you have been given authorization to return the clock to Howard Miller, you will be given a Return Authorization number (RGA#). Returns without prior authorization may be subject to additional charges and delays.

If a return is necessary, please package clock in the ORIGINAL packaging. Failure to properly pack the clock may cause damage that is not covered under warranty. You should obtain insurance for the return shipment. If ORIGINAL packaging is not available, you may find it convenient to take the clock to a professional packaging and shipping company (consumer expense). Otherwise, please follow the instructions below.

1. Package the clock into a stiff corrugated carton. This carton needs to be larger than the clock and should have at least 4" (inches) of space between the clock and each carton wall, to allow for adequate cushion material.
2. Position the clock into the carton.
 - Wrap the item in a plastic bag.
 - Damaged Glass Note: Remove all broken glass before packing the clock for return. Failure to do so may further damage the clock and would not be covered under warranty.
 - Cover the bottom 4" (inches) of the carton with cushioning material. Cushioning material may include foamed peanuts, tightly packed newspaper or other similar material.
 - Place the clock in the center of the carton on top of the cushioning material.
 - Enclose the following inside the carton with the clock: the reason for returning the product, the RGA#, and a copy of the original bill of sale or proof of purchase.
 - Fill the remaining space around the clock, and use enough additional cushioning material so that the clock cannot move or shift in transit.
3. Seal the carton securely with packaging tape. DO NOT use masking or tape intended for gift wrapping.
4. Clearly mark the outside of the carton with the complete Howard Miller Company "ship to" address. Include your complete address. Please include the Return Authorization number (RGA#), above your name, on the address label.
5. Damage caused by poor packaging or freight handling is not covered under warranty.



Return Authorization#
Your Address here

Howard Miller Company
Attn: Customer Repair
860 East Main Ave.
Zeeland, Mich 49464-1300
U.S.A.

NON-WARRANTY REPAIR SERVICE

Charges will result for repair services if a bill of sale or other proof of purchase date is not provided, if instructions were not followed, if the clock is beyond the Limited Warranty period or is otherwise outside the scope of the Limited Warranty.

MINOR ADJUSTMENTS NOT COVERED UNDER WARRANTY

Repair service and/or parts to correct the following minor adjustments are at the consumer's expense:

1. **"Set-Up"**. Set-Up instructions have been provided with your Howard Miller product.
2. **Mechanical Movement Oiling and Cleaning**. The movement in your clock is a mechanical mechanism and, therefore, requires periodic oiling and cleaning depending on climatic and environmental conditions. Under normal conditions a movement requires oiling with high quality clock oil approximately every two years from the date of purchase. Please contact a qualified clock repair person or authorized Howard Miller Service Center for this service.
3. **Replacement of Suspension Spring**. Please return broken suspension spring to Howard Miller for proper identification. Replacement suspension springs are available from Howard Miller.
4. **Pendulum, Timing, and Chime/Strike Hammer Adjustments**. Instructions for these adjustments have been provided in this publication.

FREIGHT DAMAGE NOT COVERED UNDER WARRANTY

It is the responsibility of the consignee to claim any freight loss or damage directly with the carrier. If the carton indicates signs of "visible damage", instruct the driver to note the damage on the freight bill. If the carton contains "concealed damage", notify the carrier and request in writing within 14 days of product receipt a carrier inspection and damage report. Failure to notify the carrier within 14 days of product receipt may waive your rights to a damage claim.

Manual de Instrucciones de Reloj de Pared y Reloj de Manto de Chimenea

Manuel d' instructions pour les horloges murales et les horloges de cheminée

WAND- UND STANDUHR GEBRAUCHSANWEISUNGEN

Español Français Deutsch

6-18

SIGA ESTOS SEIS PASOS PARA ARMAR RELOJES DE PARED Y DE REPISA.

• PARA ARMAR SU RELOJ

Dentro de la caja en que se envió el reloj encontrará una llave para la puerta de su reloj, b) una manija con la cu una llave que le dará cuerda a su reloj. Dependiendo del modelo, existe la posibilidad de que la caja incluya tambien un péndulo y una finial, empacados por separado. Por favor guarde todo el material original de empaque.

El acceso al mecanismo del reloj y su melodía es por la parte de atrás del reloj. (Ver figura 1). Howard Miller utiliza una combinación de ligas, espuma, metal y cartón para asegurar su envío. Corte las ligas de hule con un par de tijeras y descártelos. **NO JALE EN LAS LIGAS PARA ROMPERLAS.**

Retire la espuma y cartón de alrededor del mecanismo y área de melodía.

Para relojes con péndulo, corte la liga de hule o retire el resorte de metal de la parte trasera del mecanismo, sujetando de un lado hasta que quede libre (ver figura 2).

Abra la puerta frontal y retire el inserto plástico blanco que sostiene las manecillas (este inserto no se usa en todos los modelos).

Siga las instrucciones de su reloj restantes.

• **PARA RELOJES CON PENDULO** – Siga estas instrucciones para colgar el péndulo.

NOTA: Para los siguientes pasos, recomendamos que utilice guantes de algodón, o una tela de material suave, al tocar las diferentes piezas.

Algunos péndulos tienen una capa protectora de plástico que cubren el disco del péndulo. Tenga cuidado al remover este plástico antes de colgar el péndulo.

Para colgar el péndulo, encuentre la guía del péndulo a través de cualquiera de los paneles de acceso. Mientras sostiene la guía del péndulo con una mano, introduzca el péndulo por la puerta con la otra mano. Coloque el gancho en la parte superior del péndulo, encima del pasador, o a través de la ranura de la guía, y baje el péndulo hasta que éste quede colgando de la guía del péndulo. (Ver figura 2).

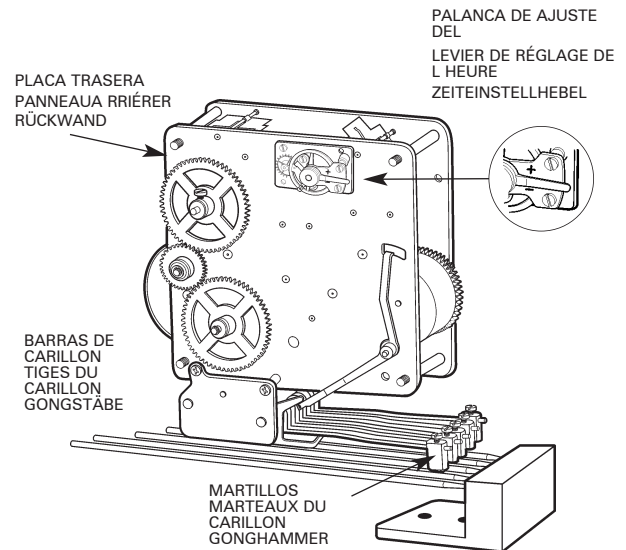


FIGURA 1
FIGURE 1
ABBILDUNG 1

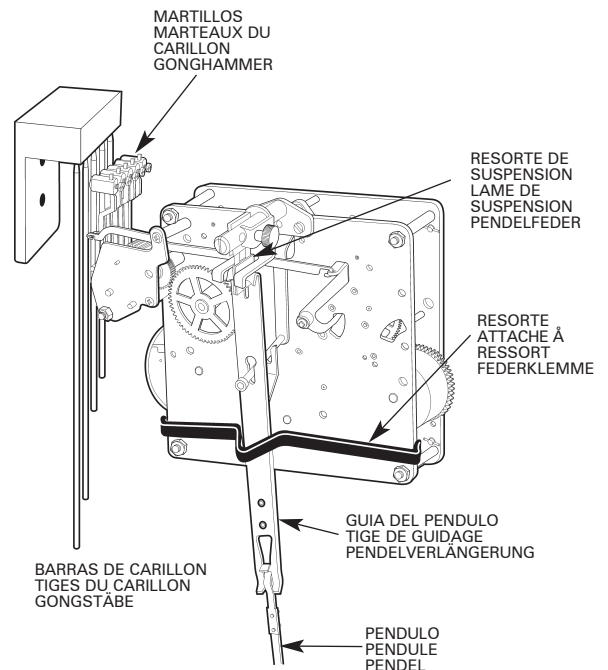


FIGURA 2
FIGURE 2
ABBILDUNG 2

OBSERVEZ LES ÉTAPES SUIVANTES POUR MONTER L'HORLOGE MURALE OU L'HORLOGE DE CHEMINÉE

• MONTAGE DE L'HORLOGE

Vous trouverez dans le carton d'expédition de l'horloge une clé qui permet de la remonter. Si un pendule et un ornement supérieur font partie de votre modèle, ils seront emballés séparément dans le carton d'expédition. Veuillez conserver tous les matériaux d'emballage d'origine.

On peut accéder au mouvement de l'horloge et au carillon par le panneau arrière de l'horloge. (reportez-vous à la figure 1). Howard Miller utilise un ensemble d'élastiques, de mousse, de styromousse, de métal et de carton pour maintenir le mouvement et le carillon en place durant l'expédition. Coupez les élastiques avec des ciseaux et jetez-les. **NE TIREZ PAS SUR LES ÉLASTIQUES POUR LES BRISER.**

Retirez la mousse, la styromousse et le carton qui entourent le mouvement et le carillon.

S'il s'agit d'une horloge munie d'un pendule, coupez l'élastique ou enlevez l'attache métallique à ressort du panneau arrière du mouvement en tirant sur l'une de ses extrémités pour la libérer (reportez-vous à la figure 2).

Ouvrez la porte avant et enlevez le bloc en plastique qui maintient l'aiguille des minutes sur 3 heures (ce bloc n'est pas utilisé sur tous les modèles).

Suivez les autres instructions qui s'appliquent à votre horloge.

• **HORLOGES MUNIES D'UN PENDULE** - Suivez ces instructions pour suspendre le pendule.

REMARQUE : pour procéder aux étapes suivantes, Howard Miller recommande le port de gants de coton ou l'utilisation d'un linge doux pour manipuler les pièces.

Certains pendules sont recouverts d'un film de plastique protecteur de couleur. Retirez-le avant de suspendre le pendule, le cas échéant.

Pour suspendre le pendule, identifiez la tige de guidage en regardant par la porte avant ou par l'un des panneaux arrière ou latéraux. Tenez la tige d'une main et insérez le pendule par la porte de l'horloge à l'aide de l'autre main. Placez le crochet du pendule par-dessus la goupille ou dans la fente de la tige et abaissez-le pour qu'il y soit solidement suspendu (figure 2).

FOLGEN SIE DIESEN ANWEISUNGEN ZUR MONTAGE DER WAND- UND STANDUHREN.

• MONTAGE IHRER UHR

Im Versandkarton der Uhr befindet sich der Schlüssel zum Aufziehen der Uhr. Falls bei Ihrem Modell enthalten, befindet sich im Karton eventuell auch separat verpackt ein Pendel und ein Pendelknäuf. Bewahren Sie die Originalverpackung gut auf.

Der Zugang zum Uhrwerk und dem Geläut befindet sich auf der Rückseite der Uhr. (Siehe Abbildung 1) Howard Miller verwendet eine Kombination von Gummibändern, Schaummaterial, Schaumstoff, Metall und Karton, um Uhrbewegung und Geläut während dem Versand zu schützen. Die Gummibänder mit einer Schere durchschneiden und wegwerfen. **DIE GUMMIBÄNDER NICHT DURCH ZIEHEN ZERREISSEN.**

Schaummaterial, Schaumstoff und Karton um Uhrwerk und Geläut entfernen.

Bei Uhren mit Pendel das Gummiband durchschneiden oder die Metallfederklemme von der Rückseite des Uhrwerkes entfernen. Dabei die Enden der Federklemme nacheinander vom Uhrwerk abziehen. (Siehe Abbildung 2).

Die Vordertür öffnen und die weiße Plastikeinlage entfernen, wobei der Minutenzeiger in der 3-Uhr-Position festgehalten wird (diese Einlage wird nicht bei allen Modellen verwendet).

Folgen Sie den nachfolgenden, jeweils Ihre Uhr betreffenden Anweisungen.

• **BEI UHREN MIT PENDEL** - Folgen Sie diesen Anweisungen zum Aufhängen des Pendels.

HINWEIS: Für die folgenden Schritte empfiehlt Howard Miller, daß Sie Baumwollhandschuhe anziehen oder ein weiches Tuch benutzen, wenn Sie die Teile berühren.

Bei manchen Pendeln ist die Pendelscheibe mit einer farbigen Plastikfolie geschützt. Entfernen Sie diese Plastikfolie sorgfältig, ehe Sie das Pendel aufhängen.

Zum Aufhängen des Pendels suchen Sie zunächst nach der Pendelverlängerung durch die Vordertür oder eins der Panele an der Seite, bzw. Rückseite. Während Sie die Pendelstabaufhängung mit der einen Hand halten, führen Sie das Pendel mit der anderen Hand durch die Vordertür. Bringen Sie den Pendelhaken auf der Pendelstütze oder durch den Schlitz in der Pendelverlängerung an und lassen Sie das Pendel herab, bis es sicher an der Pendelverlängerung eingehängt ist. (Siehe Abbildung 2).

• **PARA RELOJES QUE TIENEN UNA FASE LUNAR** – Siga estas instrucciones para accionar la fase lunar.

NOTA: Para los siguientes pasos, recomendamos que utilice guantes de algodón, o una tela de material suave, al tocar las diferentes piezas.

Para colocar el ciclo lunar, presione ligeramente con su mano la cara del disco lunar. Rote el disco hacia la derecha hasta que la luna quede directamente debajo del número 15. (Ver figura 3).

Si el movimiento de la luna no gira, favor de ver la sección “Si Su Reloj No Funciona”.

Utilizando un calendario o almanaque, encuentre la fecha de la última luna llena. Cuente el número de días que han pasado desde la última luna llena. Dele vuelta al disco hacia la derecha un chisquido o “click” por cada día que ha pasado después de la luna llena. El movimiento lunar se encuentra en lugar, e indicará las fases lunares correctas, siempre y cuando funcione continuamente su reloj. Si el reloj se para en exceso de 24 horas seguidas, tendrá que ajustar nuevamente el movimiento lunar cuando el reloj sea puesto en marcha .

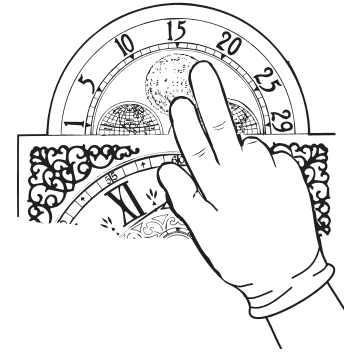


FIGURA 3
FIGURE 3
ABBILDUNG 3

• **PARA RELOJES QUE TIENEN PESAS COLGANTES** – Siga estas instrucciones para colgar las pesas.

NO RETIRE LOS EMPAQUES DE ESPONJA hasta después de doce (12) horas de haber estado operando su reloj.

Asegúrese también de que el cable esté en la polea. Cuelgue las pesas en la polea. (Ver figura 4).

• **PARA RELOJES QUE TIENEN PESAS COLGANTES** – Siga estas instrucciones para colgar las pesas.

Para poner la hora, mueva **UNICAMENTE EL MINUTERO** hacia atrás, hasta que ambas manecillas indiquen la hora correcta. **NO MUEVA LA MANECILLA DE LA HORA AL PONER LA HORA.** Esta manecilla se moverá automáticamente al mover la otra. Al mover el minuterero hacia atrás, no es necesario esperar a que el reloj marque sonoramente cada cuarto de hora. (Ver figura 5).

El mecanismo cuenta con un sincronizador interno que se ajusta con la hora. Si al poner la hora el carillón no se encuentra sincronizado, permita que opere 2 horas, durante el cual se corregirá automáticamente.

• **PARA TODOS LOS RELOJES – PARA OPERAR EL RELOJ**

Los relojes sin péndulo empezarán automáticamente cuando se le dé cuerda al reloj.

Para accionar los relojes con péndulo, introduzca sus manos a través de la puerta frontal del reloj y coloque su mano en el disco del péndulo.

Mueva el péndulo hacia el extremo izquierdo, y suéltelo. Deje que opere el reloj algunos minutos hasta que el péndulo tenga su propio ritmo. (Ver figura 6).

Si su reloj se adelanta o se atrasa después de 24 horas, vea la sección de Información General para ajustar y regular la marcación del tiempo de su reloj.

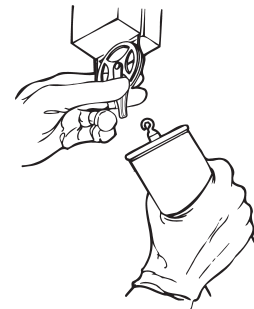


FIGURA 4
FIGURE 4
ABBILDUNG 4

MANECILLA DE LA HORA
AIGUILLE DES HEURES
STUNDENZEIGER



MINUTERO
AIGUILLE DES MINUTES
MINUTENZEIGER

HACIA ATRAS
SENS ANTIHORAIRE
GEGEN DEN UHRZEIGERSINN

FIGURA 5
FIGURE 5
ABBILDUNG 5

INFORMACION GENERAL

ETIQUETA DE INFORMACION DEL PRODUCTO

La etiqueta de información del producto le indica tanto el modelo del reloj como su número de serie. Ambos (número del modelo y número de serie) son esenciales para obtener refacciones o servicio. Esta etiqueta de información del producto se puede encontrar en varios lugares: afuera de la caja de envío, detrás de la puerta, detrás del reloj, arriba del reloj, o dentro del reloj arriba y detrás del disco. Favor de referirse a esta etiqueta cuando contacte al distribuidor de este reloj, o directamente con Howard Miller. Para una fácil referencia, sugerimos que tome un momento para escribir estos números en el espacio indicado en la página 16. Agregue su recibo o factura a este manual para referencias futuras.

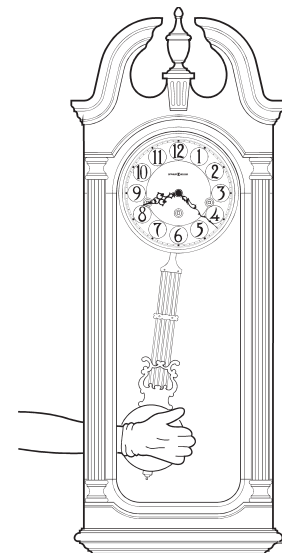


FIGURA 6
FIGURE 6
ABBILDUNG 6

• **HORLOGES MUNIES D'UN CADRAN DES PHASES LUNAIRES- Suivez ces instructions pour régler le cadran.**

REMARQUE: pour procéder aux étapes suivantes, Howard Miller recommande le port de gants de coton ou l'utilisation d'un linge doux pour manipuler les pièces.

Pour régler le cadran, appliquez une légère pression des doigts à l'avant du cadran. Faites-le pivoter dans le sens des aiguilles d'une montre jusqu'à ce que la lune se trouve directement sous le numéro 15 (figure 3).

Si le cadran ne pivote pas, reportez-vous à la section Dépannage.

Servez-vous d'un almanach ou d'un calendrier pour déterminer la date de la dernière pleine lune. Comptez le nombre de jours s'étant écoulés depuis cette date. Tournez le cadran dans le sens des aiguilles d'une montre d'une coche pour chaque jour écoulé. Le cadran est maintenant réglé et indique les phases lunaires précises tant que le fonctionnement de l'horloge n'est pas interrompu. Si elle s'arrête pendant plus de 24 heures, le cadran s'arrête également et doit être réglé de nouveau lorsque l'horloge est remise en marche.

• **HORLOGES MUNIES DE POIDS - Suivez ces instructions pour suspendre les poids.**

La plupart des horloges fonctionnent au moyen de trois poids. La base de chacun porte une étiquette identifiant sa position lorsqu'on est face à l'horloge.

Vérifiez que les poids sont solidement assemblés. Assurez-vous que chaque chaîne est sur sa roue. Suspendez chaque poids au crochet solide se trouvant à l'extrémité de la chaîne, jamais sur un maillon (figure 4).

• **POUR TOUTES HORLOGES - RÉGLAGE DE L'HEURE (déplacement des aiguilles)**

Pour régler l'heure, déplacez **SEULEMENT L'AIGUILLE DES MINUTES** dans le sens contraire des aiguilles d'une montre (à l'envers) jusqu'à ce que les deux aiguilles indiquent la bonne heure (figure 5). **NE DÉPLACEZ PAS L'AIGUILLE DES HEURES POUR RÉGLER L'HEURE.** Celle-ci se déplace automatiquement lorsque celle des minutes bouge. Le fait de tourner dans le sens antihoraire empêche d'avoir à attendre la fin du carillon lorsque l'aiguille passe les quarts d'heure. Le mouvement comprend un dispositif d'autocorrection qui synchronise le carillon avec le temps. S'il ne joue pas correctement après avoir réglé l'heure, laissez-le fonctionner pendant deux heures pour qu'il se corrige lui-même.

• **POUR TOUTES HORLOGES - MISE EN MARCHÉ DE L'HORLOGE**

Les horloges sans pendule se mettent automatiquement en marche lorsqu'elles sont remontées.

Pour mettre une horloge à pendule en marche, ouvrez la porte avant de l'horloge et placez la main sur le côté de la lentille du pendule. Ramenez le pendule à l'extrême gauche et relâchez-le. Laissez l'horloge fonctionner pendant quelques minutes, jusqu'à ce que le pendule commence à se balancer de façon uniforme (figure 6).

Si l'horloge avance trop rapidement ou trop lentement après 24 heures, reportez-vous à la section Généralités pour en régulariser le mécanisme.

GÉNÉRALITÉS

ÉTIQUETTE DE RENSEIGNEMENT SUR LE PRODUIT

Cette étiquette indique les numéros de modèle et de série de l'horloge. Ces derniers sont absolument nécessaires pour obtenir des pièces ou une réparation. L'étiquette peut se trouver à différents endroits : à l'extérieur du carton d'expédition, derrière la porte, au dos de l'horloge, sur le dessus de celle-ci, dans le coin supérieur du fond de l'horloge ou dans celle-ci, au-dessus du dos du cadran. Reportez-vous à cette étiquette lorsque vous prenez contact avec votre représentant ou avec Howard Miller. Pour vous faciliter la tâche, prenez quelques minutes pour inscrire ces numéros dans l'espace prévu à cet effet à la page 17. Rattachez également votre reçu de caisse à ce manuel pour pouvoir vous y référer plus tard.

• **BEI UHREN, DIE ÜBER EINE FUNKTIONIERENDE MOND-DREHSCHLEIBE VERFÜGEN - Folgen Sie diesen Anweisungen zum Einstellen der Mond-Drehschleibe.**

HINWEIS: Für die folgenden Schritte empfiehlt Howard Miller, daß Sie Baumwollhandschuhe anziehen oder ein weiches Tuch benutzen, wenn Sie die Teile berühren.

Um das Mondziffernblatt einzustellen, drücken Sie mit Ihren Fingern leicht auf die Vorderseite der Mondscheibe. Drehen Sie die Mondscheibe im Uhrzeigersinn bis sich der Mond direkt unterhalb der Zahl 15 befindet. (Siehe Abbildung 3).

Wenn sich die Mondscheibe nicht drehen läßt, sehen Sie im Abschnitt Fehlersuche nach.

Bestimmen Sie mit Hilfe eines Almanachs oder Kalenders das Datum des letzten Vollmonds. Zählen Sie die Anzahl von Tagen nach dem letzten Vollmond. Drehen Sie die Mondscheibe im Uhrzeigersinn einen Klick für jeden Tag nach dem Vollmond. Das Mondziffernblatt ist nun eingestellt und wird die richtigen Mondphasen anzeigen, solange die Uhr durchgehend läuft. Wenn die Uhr für mehr als 24 Stunden anhält, wird das Mondziffernblatt ebenfalls anhalten und muß dann neu eingestellt werden, wenn die Uhr wieder gestartet wird.

• **BEI UHREN, DIE ÜBER HÄNGEGEWICHTE VERFÜGEN - Folgen Sie diesen Anweisungen zum Aufhängen der Gewichte.**

ENTFERNEN SIE DIE STYROPORSTÜTZEN ERST, nachdem Ihre Uhr bereits mindestens zwölf (12) Stunden gelaufen ist.

Überprüfen Sie die Gewichte um sicherzustellen, daß sie fest eingehängt worden sind. Überprüfen Sie, daß sich das Drahtseil in der Seilführungsrolle befindet. Hängen Sie die Gewichte an die Seilführung an. (Siehe Abbildung 4).

• **BEI ALLEN UHREN - EINSTELLEN DER ZEIT** (Bewegen der Zeiger)

Um die Zeit einzustellen, bewegen Sie **NUR DEN MINUTENZEIGER** gegen den Uhrzeigersinn (rückwärts) bis Stunden- und Minutenzeiger die richtige Zeit anzeigen. (Siehe Abbildung 5). **DREHEN SIE NICHT DEN STUNDENZEIGER, WENN SIE DIE ZEIT EINSTELLEN.** Der Stundenzeiger wird sich automatisch mitbewegen, wenn der Minutenzeiger bewegt wird. Indem Sie den Minutenzeiger gegen den Uhrzeigersinn bewegen, brauchen Sie nicht auf das Schlagen der Uhr zu warten, während der Minutenzeiger an jeder Viertelstunde vorbeigeführt wird. Das Uhrwerk hat einen sich selbst korrigierenden Mechanismus, der das Schlagen des Gongs mit der Uhrzeit synchronisiert. Wenn der Gong nach dem Einstellen der Uhr nicht richtig schlägt, lassen Sie die Uhr 2 Stunden laufen, um sich von selbst zu korrigieren.

• **BEI ALLEN UHREN - STARTEN DER UHR**

Uhren ohne Pendel starten automatisch, sobald die Uhr aufgezogen wird. Zum Starten der Uhren mit Pendel, durch die Vordertür der Uhr greifen und Ihre Hand an die Seite der Pendelscheibe legen.

Bewegen Sie das Pendel von der Mitte aus weit nach links und lassen Sie los. Lassen Sie die Uhr ein paar Minuten laufen, bis sich das Pendel in eine gleichmäßig schwingende Bewegung einspielt. (Siehe Abbildung 6).

Wenn Ihre Uhr nach 24 Stunden entweder an Zeit gewinnt oder verliert, sehen Sie in dem Abschnitt Allgemeine Informationen nach, wie Sie das Zeitmessen Ihrer Uhr regulieren können.

ALLGEMEINE INFORMATIONEN

PRODUKTINFORMATIONSETIKETT

Das Produktinformationsetikett zeigt die Modell- und Seriennummer der Uhr an. Die Modell- und Seriennummer der Uhr sind äußerst wichtig für den Service und den Erhalt von Ersatzteilen. Das Produktinformationsetikett ist entweder an der Rückseite oder Unterseite der Uhr angebracht. Bei Anfragen bei Ihrem Händler oder bei Howard Miller beziehen Sie sich bitte auf dieses Etikett. Für einfache Bezugnahme in der Zukunft nehmen Sie sich einen Augenblick Zeit und tragen Sie diese Nummern an der dafür vorgesehenen Stelle auf Seite 18 ein. Fügen Sie auch diesem Handbuch Ihren Belegschein für spätere Bezugnahme bei.

PARA DARLE CUERDA A SU RELOJ

Inserte la llave en los hoyos que se encuentran en la carátula. (Ver figura 7). Dependiendo del modelo de su reloj, pueden haber 1, 2, o 3 hoyos. Dele vuelta a la llave hacia la derecha hasta que el resorte quede duro y no gire más. Para relojes con péndulos colgantes, eleve las pesas utilizando la manija. NO ELEVE las pesas con sus manos mientras le da vuelta a la manija. Dele cuerda a su reloj una vez por semana.

PARA REGULAR EL TIEMPO

Primer Día

1. Elija una hora del día que le permita revisar su reloj a la misma hora durante un período mínimo de 6 días.
2. Escriba la hora que eligió _____.
3. Revise la hora correcta.
4. Ponga las manecillas en la hora correcta (como se indica en la sección de regular la hora).

Día Dos, Tres, Cuatro, Cinco, Seis (de Ser Necesario)

1. Revise la hora correcta.
2. Compare la hora correcta con la hora que indique su reloj. Está adelantado o atrasado?
3. Ajuste la tuerca del disco una revolución completa para cada medio minuto por día. (24 horas).
4. Revise la hora correcta.
5. Ponga el minutero en la hora correcta. Siga los mismos pasos al día siguiente.

RELOJES CON PENDULO

Para cambiar la velocidad en que marca la hora el reloj, basta con mover el disco del péndulo hacia arriba o hacia abajo. El disco del péndulo se puede mover hacia arriba o abajo enroscando la tuerca de ajuste.

Para bajar la velocidad, baje el disco del péndulo desenroscando la tuerca de ajuste hacia la izquierda. Para incrementar la velocidad, levante el disco del péndulo enroscando la tuerca de ajuste hacia la derecha. (Ver figura 8).

RELOJES SIN PENDULO

Para cambiar la velocidad del reloj se debe mover palanca de ajuste del tiempo. (Ver figura 1). Para atrasar al reloj, mueva la palanca hacia abajo hacia "-" (menos). Para adelantar al reloj, mueva la palanca hacia "+" (más).

SELECCIÓN DE CAMPANA

Se escoge la melodía de la campana moviendo la palanca que está sobre o cerca de la esfera del reloj. Algunos modelos tocan solamente la melodía Westminster mientras otros modelos le ofrecen una selección de tres melodías.

Si la esfera indica "WESTM-SILENT" o "STRIKE-SILENT", su reloj tiene tan solo el sonido de Westminster. Si su reloj tiene un triple movimiento de campana, la palanca de la campana identifica las selecciones de melodías.

Nunca cambie su selección mientras el reloj está tocando la melodía o está cerca de los puntos de desembrague. Vea la figura 9 para darse cuenta cuándo es posible mover la palanca de selección de melodías sin causar daño al movimiento.

CUIDADO Y MANTENIMIENTO

- Su reloj requiere poco cuidado y mantenimiento. A continuación están los pasos que debe seguir para mantener la calidad excepcional de su reloj Howard Miller.
- De cuerda a su reloj cada siete días.
- Encere y pula la cabina del reloj con tanta frecuencia como lo hace con sus otros muebles. Use líquido o cera sin silicio.
- Cuando limpie el vidrio, use un limpiador de vidrios sin amoníaco. Nunca rocíe el limpiador directamente sobre el reloj.
- Para relojes con pesas colgantes, revise de vez en cuando las pesas para asegurarse que estén ensambladas firmemente.
- Es recomendable que el mecanismo de su reloj se lo aceite cada dos años a partir de la fecha de compra y se haga una limpieza completa del mismo cada cinco o diez años dependiendo de las condiciones climáticas. Una atmósfera extremadamente seca, húmeda o salada, calor o frío pueden hacer necesario un servicio de mayor frecuencia. Howard Miller no recomienda que este servicio al mecanismo del reloj lo realice usted. Póngase en contacto con un centro de servicio autorizado por Howard Miller.

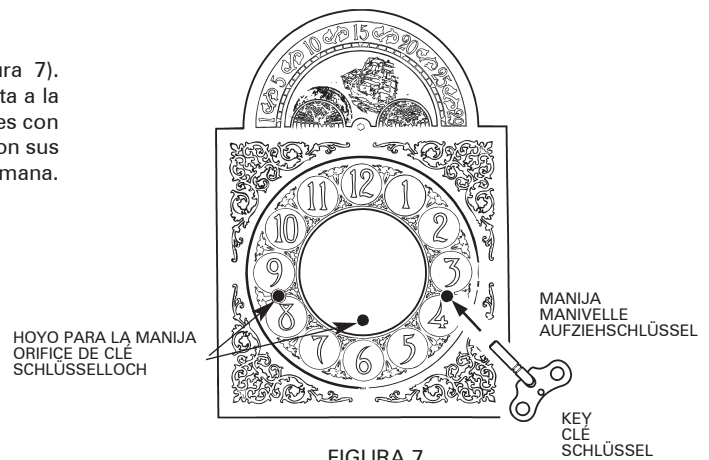


FIGURA 7
FIGURE 7
ABBILDUNG 7

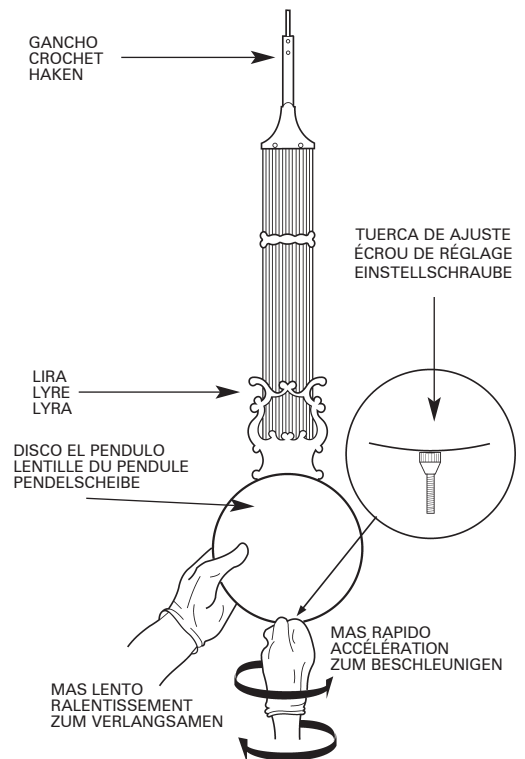


FIGURA 8
FIGURE 8
ABBILDUNG 8

MUEVA EL BOTON SELECTOR UNICAMENTE CUANDO EL MINUTERO SE ENCUENTRE EN EL AREA DE SEGURIDAD
NE DÉPLACEZ LE LEVIER DE SÉLECTION DES MÉLODIES QUE LORSQUE L'AIGUILLE DES MINUTES EST DANS UNE ZONE SÛRETAIRE
DEN GONGAUSWAHLHEBEL NUR BEWEGEN, WENN SICH DER MINUTENZEIGER IN DER „SICHEREN ZONE“ BEFINDET

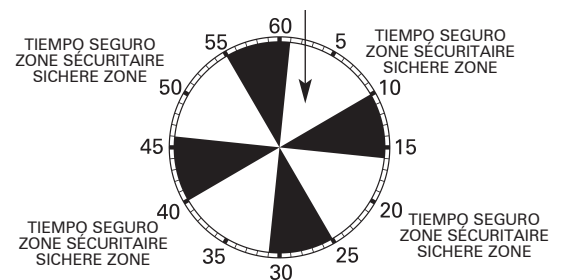


FIGURA 9
FIGURE 9
ABBILDUNG 9

RÉGULARISATION DE L'HEURE

REMONTAGE DE L'HORLOGE

Introduisez la clé de remontage dans les orifices situés sur la face du cadran (reportez-vous à la figure 7). Selon le modèle d'horloge, il peut y avoir un, deux ou trois orifices de clé. Tournez la clé vers la droite jusqu'à ce que le ressort soit serré et que vous ne puissiez plus tourner. Si votre horloge est munie de poids, élevez les poids à l'aide de la manivelle. ÉVITEZ de lever les poids à la main pendant que vous utilisez la manivelle. Remontez l'horloge une fois par semaine.

Le premier jour

1. Sélectionnez une heure de la journée vous permettant de vérifier votre horloge à la même heure pendant au moins six jours.
2. Inscrivez l'heure choisie _____.
3. Obtenez l'heure exacte.
4. Remplacez l'aiguille des minutes pour correspondre à l'heure exacte.

Les cinq jours suivants (au besoin)

1. Obtenez l'heure exacte.
2. Comparez l'heure indiquée sur votre horloge avec l'heure exacte. Votre horloge tourne-t-elle trop rapidement ou trop lentement?
3. Réglez l'instrument selon les instructions détaillées des sections « Horloges munies d'un pendule » ou « Horloges sans pendule ».
4. Obtenez l'heure exacte.
5. Remplacez l'aiguille des minutes pour correspondre à l'heure exacte.

Horloges munies d'un pendule

La vitesse du mouvement peut être modifiée en déplaçant la lentille du pendule vers le haut ou vers le bas. Ceci se fait en tournant l'écrou de réglage. Pour ralentir l'horloge, déplacez la lentille vers le bas en tournant l'écrou vers la gauche.

Pour accélérer l'horloge, déplacez la lentille vers le haut en tournant l'écrou vers la droite (figure 8).

Horloges sans pendule

La modification de la vitesse d'indication de l'heure s'effectue en déplaçant le levier de réglage de l'heure. (figure 1). Pour ralentir l'horloge, déplacez le levier vers le signe « - » (moins). Pour accélérer l'horloge, déplacez le levier vers le signe « + » (plus).

SÉLECTION DU CARILLON

Le choix de la mélodie du carillon s'effectue en déplaçant un levier sur ou à proximité du cadran de l'horloge. Certains modèles ne jouent que le carillon Westminster, alors que d'autres offrent une sélection de trois mélodies.

Si le cadran indique «WESTM-SILENT» ou «STRIKE-SILENT», l'horloge ne possède que le carillon Westminster. Si l'horloge possède un triple mouvement de carillon, le levier du carillon identifie les choix de mélodie.

Ne jamais changer la sélection pendant que l'horloge carillonne ou se trouve en position proche des points de déclenchement. Voir la figure 9 pour savoir quand il n'y a aucun risque à déplacer le levier de sélection de la mélodie sans endommager le mouvement.

SOINS ET ENTRETIEN

- Votre horloge demande peu de soins et d'entretien. La liste ci-dessous donne les points à suivre pour conserver la qualité exceptionnelle de votre horloge Howard Miller.
- Remontez votre horloge tous les sept jours.
- Cirez et polissez le boîtier de votre horloge aussi fréquemment que pour vos autres meubles. Utilisez un liquide sans silicone ou une cire en pâte.
- Pour nettoyer le carreau, utilisez un nettoyant pour verre sans ammoniaque. Ne vaporisez jamais le nettoyant directement sur l'horloge.
- Pour les horloges munies de poids suspendus, vérifiez les poids à l'occasion pour vous assurer qu'ils sont toujours bien fixés.
- Nous vous recommandons d'huiler le mouvement de votre horloge tous les deux ans à compter de la date d'achat et de le nettoyer à fond tous les cinq à dix ans en fonction des conditions climatiques. L'air extrêmement sec, humide ou salé, la chaleur ou le froid peuvent imposer un entretien plus fréquent. Howard Miller ne vous recommande pas de réparer vous-même le mouvement de l'horloge. Adressez-vous à un centre de réparations agréé Howard Miller.

AUFZIEHEN IHRER UHR

Den Schlüssel zum Aufziehen in die im Ziffernblatt befindlichen Löcher einsetzen. (Siehe Abbildung 7). Je nach Modell Ihrer Uhr, gibt es 1, 2 oder 3 Löcher für den Schlüssel zum Aufziehen. Den Schlüssel im Uhrzeigersinn drehen, bis die Feder fest ist und sich nicht mehr drehen lässt. Bei Uhren mit Hängegewichten werden die Gewichte mit Hilfe der Kurbel nach oben gezogen. Die Gewichte NICHT per Hand hochziehen, während die Kurbel betätigt wird. Ziehen Sie Ihre Uhr einmal pro Woche auf.

ZEITMESSUNG REGULIEREN

Tag Eins

1. Wählen Sie eine Zeit am Tag, zu der Sie Ihre Uhr zur gleichen Zeit über mindestens sechs Tage hinweg prüfen können.
2. Notieren Sie sich die gewählte Zeit _____.
3. Überprüfen Sie die genaue Zeit.
4. Stellen Sie den Minutenzeiger genau auf die exakte Zeit ein.

Tag Zwei, Drei, Vier, Fünf, Sechs (falls notwendig)

1. Überprüfen Sie die genaue Zeit.
2. Vergleichen Sie die angezeigte Zeit auf Ihrer Uhr mit der genauen Zeit. Geht Ihre Uhr zu schnell oder zu langsam?
3. Wie unter "Uhren mit Pendel" oder "Uhren ohne Pendel" ausführlich beschrieben einstellen.
4. Überprüfen Sie die genaue Zeit.
5. Stellen Sie den Minutenzeiger erneut genau auf die exakte Zeit.

Uhren mit Pendel

Um die Zeitmessungsgeschwindigkeit zu ändern, bewegen Sie die Pendelscheibe nach oben oder nach unten. Die Pendelscheibe kann nach oben oder unten bewegt werden, indem Sie die Einstellschraube drehen. Um die Uhr zu verlangsamen, bewegen Sie die Pendelscheibe nach unten, indem Sie die Einstellschraube nach links drehen.

Um die Uhr zu beschleunigen, bewegen Sie die Pendelscheibe nach oben, indem Sie die Einstellschraube nach rechts drehen. (Siehe Abbildung 8).

Uhren ohne Pendel

Durch Verschieben des Zeiteinstellhebels kann die Uhrgeschwindigkeit geändert werden. (Siehe Abbildung 1). Sollte die Uhr vorgehen, bewegen Sie den Hebel in Richtung Minuszeichen (-) nach unten. Sollte die Uhr nachgehen, bewegen Sie den Hebel in Richtung Pluszeichen (+) nach oben.

MELODIEWAHL

Zum Wählen der Melodie wird ein Hebel auf oder neben dem Zifferblatt verstellt. Einige Modelle spielen nur die Westminstermelodie. Bei anderen stehen drei Melodien zur Wahl.

Wenn auf dem Zifferblatt „WESTM-SILENT“ (WESTM-AUS) oder „STRIKE-SILENT“ (SCHLAG-AUS) angezeigt ist, spielt die Uhr nur die Westminster-Melodie. Wenn drei Melodien zur Verfügung stehen, wird die gewünschte Melodie durch den Melodiewahlhebel bestimmt.

Die Melodiewahl darf niemals verändert werden, während die Uhr schlägt oder kurz vor dem Schlagen steht.

In Abbildung 9 ist dargestellt, im welchen Bereich der Melodiewahlhebel verstellt werden kann, ohne das Gehwerk zu beschädigen.

PFLEGE UND WARTUNG

- Diese Uhr erfordert nur wenig Pflege und Wartung. Nachfolgend sind einige Schritte aufgeführt, um die außerordentliche Qualität Ihrer Howard Miller Uhr zu erhalten.
- Ziehen Sie die Uhr einmal pro Woche auf.
- Waschen und polieren Sie das Uhregehäuse so oft, wie Ihre anderen Möbel. Verwenden Sie ein silikonfreies Mittel oder Möbelwachs.
- Verwenden Sie zum Reinigen von Glas ein ammoniakfreies Reinigungsmittel. Sprühen Sie das Reinigungsmittel nie direkt auf die Uhr.
- Bei Uhren mit hängenden Gewichten sollten Sie die Gewichte regelmäßig überprüfen, um sicherzustellen, dass diese fest montiert sind.
- Es wird empfohlen, das Gerwerk der Uhr alle zwei Jahre ab Kaufdatum zu ölen, und die Uhr je nach Klimabedingungen alle fünf bis zehn Jahre gründlich zu reinigen. Bei extrem trockener, feuchter oder salziger Luft bzw. bei extremer Hitze oder Kälte ist ggf. eine frühere Wartung notwendig. Howard Miller empfiehlt, das Gehwerk von einem Fachmann warten zu lassen. Wenden Sie sich bitte an ein autorisiertes Kundendienstcenter von Howard Miller.

Asegure de que todas las instrucciones incluidas aquí fueron cuidadosamente efectuadas. Estas instrucciones le ofrecerán información detallada, la cual contestará la mayoría de sus preguntas. Para ver un listado de preguntas frecuentes visite el sitio web de Howard Miller (www.howardmiller.com) con ello podría convenientemente resolver su problema o encontrar respuestas a sus preguntas.

SI SU RELOJ NO SUENA CUANDO DEBE

Si su reloj suena más de un minuto antes o después de cuando debe, debe quitar la manecilla del minuto para ajustarlo.

PRECAUCION: Al hacer esta operación asegúrese de no rayar la tuerca, la manecilla o la carátula del reloj.

1. Cuando el reloj comience a sonar, pare el péndulo y anote la hora.
2. Usando unas pinzas o alicates, cuidadosamente quite la tuerca que sostiene a la manecilla del minuto, girándola hacia la izquierda, mientras que al mismo tiempo mantiene firme al minuterero.
3. Jale la manecilla, sosteniéndola en el punto donde se inserta al eje. Esta manecilla no está enroscada, y debe poder deslizarse fácilmente. El minuterero tiene una orilla que sobresale de la parte de atrás, alrededor del hoyo donde se inserta el eje. Este es el casquillo. Usando las pinzas, apriete firmemente el casquillo a los lados, asegurándose de que no se pueda resbalar. Con su otra mano, gire la manecilla la distancia necesaria para que suene a la hora correcta. (Ver figura 10).
4. Ponga nuevamente la manecilla en el eje, y enrosque la tuerca con sus dedos. Asegúrese de que ambas manecillas indiquen la hora que anotó en el paso 1, además de la corrección en el paso 3. Si el minuterero no apunta al número correcto, repita los pasos 2 y 3.
5. Apriete la tuerca con las pinzas. No lo apriete demasiado.
6. Comience la operación del péndulo.
7. Ajuste la hora moviendo **UNICAMENTE EL MINUTERO** hacia atrás, como se describe en el Paso 5 de la sección "Armando Su Reloj".

EJEMPLO: El reloj suena a la 1:10, cuando debe sonar a la 1:15.

Paso 1: Cuando el reloj suene a la 1:10, pare el péndulo y anote la hora (1:10). Paso 2: Cuidadosamente quite la tuerca. Paso 3: Jale la manecilla del minuto. Sostenga el casquillo de los lados, y dele vuelta la distancia necesaria para ajustarlo 5 minutos. Paso 4: Coloque el minuterero de tal manera que éste indique 1:15. Instale nuevamente la tuerca. Paso 5: Apriete la tuerca. Paso 6: Comience la operación del péndulo. Paso 7: Ponga la hora correcta a su reloj.

PARTE DE ATRAS DEL MINUTERO
DOS DE L'AIGUILLE DES MINUTES
RÜCKSEITE DES MINUTENZEIGERS

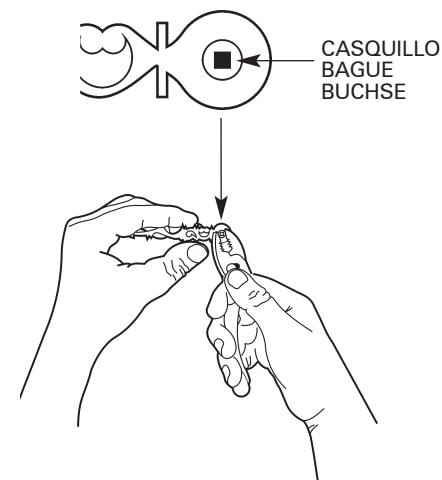


FIGURA 10
FIGURE 10
ABBILDUNG 10

SI SU RELOJ NO INDICA LA HORA CORRECTA

Si después de varias horas de estar operando, su reloj no indica sonoramente la hora correcta, mueva **UNICAMENTE LA MANECILLA DE LA HORA** hacia adelante o hacia atrás, de tal modo que quede alineado con el número de veces que suene el carillón. El rotar esta manecilla independientemente de la otra no daña el reloj.

Si el minuterero necesita ser recalibrado (para corregir la hora), Mueva el minuterero en sentido antihorario (hacia atrás) según se describe en la sección "PARA TODOS LOS RELOJES_PONER LA HORA" de este instructivo.

SI EL RELOJ NO INDICA LA HORA AUDIBLEMENTE

1. Asegúrese de que la selección del carillón no esté en la posición de "silent" (silencio), o que se encuentre en medio de dos posiciones.
2. Asegúrese de que todo el material de empaque usado para el transporte se haya removido del área del mecanismo.
3. Asegúrese de que tenga cuerda su reloj.
4. Para modelos con silenciador nocturno, asegúrese que el reloj no esté en esa posición. (Para referencias, favor de ver la sección de OPCION DE SILENCIADOR NOCTURNO en Información General.)
5. Eleve los martillos aproximadamente una pulgada (2.5 cms.), y después deje que regresen a su posición de descanso.

CUANDO LA MELODIA NO TIENE LA TONALIDAD CORRECTA

NO AJUSTE LOS MARTILLOS, a menos que el tono sea incorrecto. El tono puede ser afectado por los martillos que no peguen directamente en las barras, o si los martillos están incorrectamente tocando las barras durante reposo. Aunque estos fueron ajustados en la fábrica, es posible que se hayan desajustado. Para la mayoría de los relojes, no será necesario ajustar los martillos. Existen diferentes tipos de carillones, tubos y barras; favor de encontrar el suyo a continuación.

BARRA DE CARILLON - los brazos de los martillos de este tipo de barra son hechos de cobre, y por lo tanto pueden ser doblados con facilidad. En caso de ser necesario, ajuste los martillos de tal manera que no interfieran unos con los otros. Esto se logra doblando los brazos de los martillos en medio, para que cada martillo descanse aproximadamente 1/8" (0,25 cm.) de la barra. (Ver figura 11). **NO DOBLE** las barras. El volumen no puede ser ajustado en un mecanismo con barras de carillón.

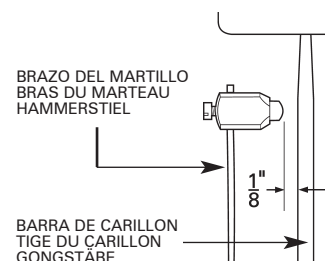


FIGURA 11
FIGURE 11
ABBILDUNG 11

Assurez-vous d'avoir suivi attentivement toutes les instructions fournies avec votre horloge Howard Miller. Ces dernières répondent en détail à la plupart des questions. Rendez visite au site web de Howard Miller (www.howardmiller.com) pour consulter la liste des questions fréquemment posées pour résoudre tout problème ou obtenir des réponses à vos questions.

LE CARILLON NE JOUE PAS À LA BONNE HEURE

Si le carillon accuse un retard ou une avance de plus d'une minute, il faut retirer l'aiguille des minutes et la régler.

ATTENTION : lorsque vous procédez à ce réglage, ayez soin de ne pas égratigner l'écrou, l'aiguille ou le cadran.

1. Lorsque le carillon commence à jouer, arrêtez le pendule et prenez note de l'heure.
2. À l'aide de pinces, retirez soigneusement le petit écrou qui retient l'aiguille des minutes en le tournant dans le sens contraire des aiguilles d'une montre, tout en retenant l'aiguille du bout des doigts au niveau de l'écrou.
3. Retirez l'aiguille de son arbre en l'agrippant du bout des doigts à l'endroit où elle est rattachée à l'arbre. Tirez droit. Elle n'est pas vissée et devrait s'enlever facilement. Son dos est légèrement bombé autour de l'orifice de l'arbre; il s'agit de la bague. Servez-vous de pinces pour en agripper solidement les côtés de façon à ce qu'elle ne puisse s'échapper. Avancez ou reculez l'aiguille de l'autre main, de la distance suffisante pour que le carillon joue à la bonne heure (figure 10).
4. Rattachez l'aiguille à l'arbre et vissez bien l'écrou à la main. Assurez-vous que l'aiguille pointe vers l'heure notée à l'étape 1, plus ou moins toute correction effectuée à l'étape 3. Si ce n'est pas le cas, répétez les étapes 2 et 3.
5. Vissez bien l'écrou avec les pinces, en ayant soin de ne pas trop serrer.
6. Mettez le pendule en marche.
7. Réglez l'heure en déplaçant **SEULEMENT L'AIGUILLE DES MINUTES** dans le sens antihoraire tel que décrit à l'étape 5 de la section Montage.

EXEMPLE : le carillon joue à 13h10 plutôt qu'à 13h15.

Étape 1: lorsque le carillon joue à 13h10, arrêtez le pendule et prenez note de l'heure (soit 13h10). Étape 2 : retirez soigneusement le petit écrou. Étape 3 : retirez l'aiguille des minutes. Agrippez la bague par ses côtés et avancez l'aiguille de cinq minutes. Étape 4 : rattachez l'aiguille de façon à ce qu'elle pointe vers 13h15. Remplacez l'écrou à la main. Étape 5 : resserrez l'écrou avec les pinces. Étape 6 : mettez le pendule en marche. Étape 7 : réglez l'heure.

L'HORLOGE NE SONNE PAS À LA BONNE HEURE

Si après plusieurs heures de fonctionnement l'horloge ne sonne toujours pas à la bonne heure, agrippez **SEULEMENT L'AIGUILLE DES HEURES** et déplacez-la vers l'avant ou l'arrière pour l'aligner sur la bonne heure du cadran indiquée par le nombre de coups sonnés. Le fait de déplacer cette aiguille par elle-même n'endommagera pas l'horloge.

Si l'aiguille des minutes doit être réglée (remise à l'heure), déplacez-la dans le sens inverse des aiguilles d'une montre (en arrière) comme décrit dans la section « **POUR TOUTES LES HORLOGES RÉGLAGE DE L'HEURE** » de ces directives.

LE CARILLON OU LA SONNERIE NE FONCTIONNENT PAS

1. Assurez-vous que le levier de sélection des mélodies n'est pas en position « *Silent* » (assourdissement) ou entre deux mélodies.
2. Assurez-vous que le mouvement n'est pas encombré par du matériel d'emballage.
3. Vérifiez que l'horloge est remontée.
4. Pour les modèles munis d'un mécanisme d'assourdissement la nuit, assurez-vous que ce mode n'est pas sélectionné. (Reportez-vous à la rubrique **OPTION D'ASSOURDISSEMENT AUTOMATIQUE LA NUIT** de la section Généralités).
5. Soulevez tous les marteaux de 2,5 cm environ et laissez-les retomber en place.

LE CARILLON NE JOUE PAS LA BONNE TONALITÉ

NE RÉGLEZ PAS LES MARTEAUX, à moins que la tonalité soit incorrecte. Cette dernière peut être affectée par les marteaux reposant sur les tiges du carillon ou par une frappe non centrée. Bien qu'ils aient été ajustés à l'usine, il est possible qu'ils doivent faire l'objet d'un réglage. Pour la majorité des horloges, ceci ne sera cependant pas nécessaire. Comme il existe de nombreux types de carillons (à tiges et à tubes), veuillez identifier le vôtre ci-dessous.

CARILLON À TIGES Les bras de ces marteaux sont faits de laiton et peuvent être pliés sans danger. Réglez-les au besoin de façon à ce qu'ils n'entravent pas leur course en se déplaçant ou en frappant les tiges. Ceci se fait en les pliant légèrement au milieu. Chaque marteau doit se trouver à environ 3 mm (1/8 po) de sa tige (figure 11). **NE PLIEZ PAS** les tiges. Le volume des mouvements à tiges ne peut être modifié.

Vergewissern Sie sich, daß alle Anweisungen, die mit Ihrem Produkt von Howard Miller geliefert wurden, sorgfältig befolgt worden sind. Diese Anweisungen geben Ihnen genaue Information für die Beantwortung der meisten Fragen. Auf der Webseite von Howard Miller (www.howardmiller.com) finden Sie eine Liste von häufig gestellten Fragen, die Ihr Problem evtl. auf einfache Weise lösen bzw. Ihre Fragen beantworten können.

FEHLERSUCHE GONG SCHLÄGT NICHT ZUR RICHTIGEN ZEIT

Wenn der Gong mehr als eine Minute vor oder nach der richtigen Zeit schlägt, sollte der Minutenzeiger entfernt und justiert werden.

VORSICHT: Seien Sie vorsichtig, daß Sie dabei nicht die Zeigermutter, den Zeiger oder das Ziffernblatt verkratzen.

1. Wenn der Gong zu schlagen beginnt, halten Sie das Pendel an und notieren Sie die Zeit.
2. Entfernen Sie vorsichtig mit einer Zange die kleine Zeigermutter, die den Minutenzeiger befestigt, indem Sie die Zeigermutter im Gegenuhrzeigersinn drehen, während Sie gleichzeitig den Minutenzeiger mit Ihren Fingern nahe an der kleinen Schraubenmutter halten.
3. Entfernen Sie den Zeiger von dem Zeigerschaft, indem Sie ihn mit Ihren Fingern an dem Punkt anfassen, an dem er an dem Schaft befestigt ist. Ziehen Sie den Zeiger gerade nach vorn ab. Dieser Zeiger ist nicht angeschraubt und sollte sich leicht entfernen lassen. Der Minutenzeiger hat eine kleine erhabene Stelle auf der Rückseite direkt um die Schaftöffnung herum. Dies ist die Zeigerbuchse. Fassen Sie mit einer Zange diese Buchse fest an ihrer Seite an, so daß sie sich nicht in der Zange verrücken kann. Drehen Sie mit Ihrer anderen Hand den Uhrenzeiger vorwärts oder rückwärts bis der Gong zur richtigen Zeit schlägt. (Siehe Abbildung 10).
4. Befestigen Sie den Zeiger wieder auf dem Vierkantschaft und schrauben Sie die Zeigermutter mit den Fingern fest. Vergewissern Sie sich, daß der Zeiger auf die gleiche Stelle zeigt, die Sie in Schritt 1 notiert haben, plus etwaige Korrekturen, die Sie in Schritt 3 vorgenommen haben. Wenn der Zeiger nicht auf die korrekte Stelle deutet, wiederholen Sie Schritte 2 und 3.
5. Befestigen Sie die Zeigerschraubenmutter mit der Zange, ziehen Sie sie jedoch nicht zu fest an.
6. Starten Sie das Pendel.
7. Stellen Sie die Zeit erneut ein, indem Sie **NUR DEN MINUTENZEIGER**, wie im Abschnitt Aufstellvorgang beschrieben, nach rückwärts schieben.

BEISPIEL: Der Gong schlägt um 13.10 Uhr, sollte aber erst um 13.15 Uhr schlagen. Schritt 1: Wenn der Gong um 13.10 Uhr schlägt, halten Sie das Pendel an und notieren Sie die Zeit 13.10 Uhr. Schritt 2: Entfernen Sie vorsichtig die kleine Zeigermutter. Schritt 3: Entfernen Sie den Minutenzeiger. Halten Sie die Zeigerbuchse an der Seite und drehen Sie den Zeiger um 5 Minuten vorwärts. Schritt 4: Befestigen Sie wieder den Zeiger, so daß er auf 13.15 Uhr zeigt. Befestigen Sie die Zeigermutter mit den Fingern. Schritt 5: Ziehen Sie die Zeigermutter fest an. Schritt 6: Starten Sie das Pendel. Schritt 7: Stellen Sie die Uhr wieder auf die aktuelle Zeit ein.

UHR SCHLÄGT NICHT DIE RICHTIGE STUNDE

Wenn die Uhr nach mehreren Stunden des Betriebs nicht die richtige Stunde schlägt, nehmen Sie **NUR DEN STUNDENZEIGER** und bewegen Sie ihn vor- oder rückwärts, um ihn mit der richtigen Stunde auf dem Ziffernblatt gleichzustellen, die von der Anzahl der Stundenschläge angezeigt wurde. Die Uhr wird durch das unabhängige Drehen des Zeigers nicht beschädigt.

Wenn der Minutenzeiger (zum Einstellen der Uhrzeit) verstellt werden muss, drehen Sie den Zeiger wie im Abschnitt „**EINSTELLEN DER UHRZEIT FÜR ALLE UHREN**“ dieser Gebrauchsanweisung beschrieben nach links (rückwärts).

GONG UND STUNDENSCHLAG FUNKTIONIEREN BEIDE NICHT

1. Vergewissern Sie sich, daß sich der Auswahlhebel nicht in der Position "silent" oder auf halbem Weg zwischen zwei Gongmelodien befindet.
2. Vergewissern Sie sich, daß alles Verpackungsmaterial aus dem Bereich des Uhrwerks entfernt worden ist.
3. Sicherstellen, daß die Uhr aufgezogen ist.
4. Hammereinstellung und Gongton so nötig überprüfen.
5. Sämtliche Hämmer ungefähr 2,5 cm anheben und diese dann in ihre Ruheposition zurückkehren lassen.

GONGS HABEN FALSCHEN TON

DIE HAMMER FÜR DEN GONG NICHT NEU EINSTELLEN, es sei denn der Gongton ist nicht korrekt. Gongton kann von den Hammern, die auf den Gongstäben ruhen, beeinträchtigt werden oder nicht in der Mitte angeschlagen werden. Obwohl die Hammer in der Fabrik eingestellt worden sind, kann es sein, daß sie sich verstellen. Bei den meisten Uhren wird es nicht notwendig sein, die Gonghammer neu einzustellen. Es gibt verschiedene Typen von Gongs (Stäbe, Röhren oder Glocken).

GONGSTÄBE: Hammerarme sind aus Messing angefertigt und können gebogen werden. Falls notwendig, stellen Sie die Hammer so ein, daß sie sich beim Bewegen oder Anschlagen der Gongstäbe, Gongröhren oder Gongglocken nicht gegenseitig berühren. Dies kann erreicht werden, indem Sie die Hammerarme in der Mitte leicht anbiegen, so daß sich jeder Hammer etwa 3 mm (1/8in.) von jeder Stange, Röhre oder Glocke entfernt befindet. (Siehe Abbildung 11). Die Gongstangen oder -röhren **NICHT** biegen. Die Lautstärke des Gongs kann nicht eingestellt werden.

SI SU RELOJ NO FUNCIONA

Aunque no recomendamos que repare su propio reloj, debe revisar las siguientes sugerencias antes de contactar a Howard Miller, o algún representante autorizado. No intente hacer ajustes para los cuales no tiene la confianza de que podrá realizarlos.

1. Removió todo el material de empaque del área del mecanismo?
2. Le dió cuerda a su reloj?
3. Intentó re-empezar su reloj? Se necesita estar en tiempo sureloj par seguir corriendo.
4. Están en el lugar correcto las pesas? Revise la parte de abajo de cada pesa para cerciorarse de esto.
5. Asegúrese que el péndulo esté colgando correctamente de la guía del péndulo.

SI NO GIRA EL MOVIMIENTO DE LA LUNA

Con el reloj de frente a Ud., remueva el panel superior lateral, abra la puerta lateral, o quite la puerta de acceso trasera. Revise la parte de atrás de la carátula, y encuentre el resorte.

Ponga su dedo en la punta del resorte. Jálelo hacia atrás 1/2" (1 cm.) de los dientes, y suéltelo. (Ver figura 12.) El resorte y la carátula deben quedar alineados. Si el resorte está en el lugar correcto, y aún siente resistencia al tratar de avanzar la carátula, **NO LO FORCE**. Si la carátula aún no se mueve con facilidad, esto indica que los engranes que hacen el avance automáticamente están activados. Para corregirlo, rote el minuterero hacia atrás 3 horas, como se describe en el Paso 5 de la sección "Para Armar Su Reloj".

L'HORLOGE NE FONCTIONNE PAS

Bien qu'on vous conseille de ne pas réparer votre horloge vous-même, vous devriez vérifier les points suivants avant de prendre contact avec Howard Miller, votre représentant ou un Centre de service autorisé. Ne tentez aucun réglage dont vous n'êtes pas certain.

1. Le matériel d'emballage a-t-il été complètement retiré du mouvement?
2. Avez-vous remonté l'horloge ?
3. Avez-vous essayé de remettre l'horloge en marche? Pour fonctionner, elle doit "battre la mesure".
4. Les poids sont-ils suspendus aux bons endroits? Vérifiez l'étiquette au bas de chacun.
5. Vérifiez que le pendule est correctement suspendu dans le guide.

LE CADRAN DES PHASES LUNAIRES NE TOURNE PAS

Lorsque vous êtes face à l'horloge, retirez le panneau latéral supérieur, ouvrez la porte latérale ou retirez le panneau d'accès arrière. Regardez au dos du cadran pour repérer le cliquet.

Placez un doigt sur l'extrémité du cliquet et tirez-le (environ 1 cm / 1/2 po) de façon à l'éloigner du cadran denté, puis relâchez-le (figure 12). Les deux pièces devraient s'imbriquer correctement l'une dans l'autre. Si le cliquet est bien positionné et que le cadran offre toujours de la résistance, **NE LE FORCEZ PAS**. Cela signifie que les engrenages qui font automatiquement avancer le cadran sont engagés. Pour corriger la situation, reculez l'aiguille des minutes de trois heures en suivant les directives de l'étape 5 de la section Montage.

CARATULA LUNAR
CADRAN DES PHASES LUNAIRES
MONDSCHIEBE

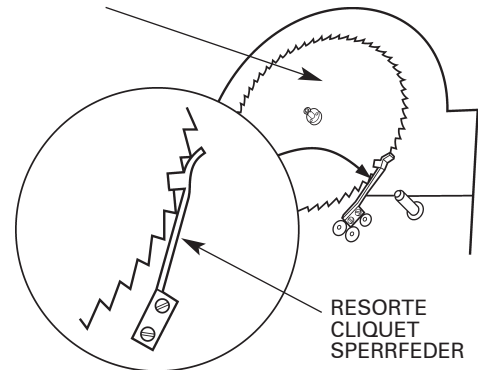


FIGURA 12
FIGURE 12
ABBILDUNG 12

UHR LÄUFT NICHT

Obwohl nicht empfohlen wird, Ihre Uhr selbst zu reparieren, sollten Sie die folgenden Punkte nachprüfen, ehe Sie sich an Howard Miller oder Ihren genehmigten Fachhändler wenden. Nehmen Sie keine Änderungen vor, die Sie sich nicht zutrauen.

1. Ist alles Verpackungsmaterial vom Uhrwerkbereich entfernt worden?
2. Haben Sie die Uhr aufgezogen?
3. Steht die Uhr eben?
4. Funktionieren die Zeiger ohne Störung? Lassen Sie den Stundenzeiger nicht gegen den Sekundenzeiger schlagen. Falls der Sekundenzeiger gegen die Scheibe reibt, ziehen Sie ihn leicht heraus. Falls der Stundenzeiger gegen die Rückseite des Minutenzeigers reibt, sollte der Stundenzeiger näher zur Scheibe gedrückt werden (legen Sie Ihren Daumnagel im mittleren Bereich des Stundenzeigers an und drücken Sie ihn etwas hinein).
5. Sicherstellen, daß das Pendel ordnungsgemäß in der Pendelverlängerung eingehängt ist.

MONDZIFFERNBLATT LÄSST SICH NICHT DREHEN

Entfernen Sie das rückwärtige Zugangspanel der Uhr. Sehen Sie auf die Rückseite des Ziffernblatts und suchen Sie die Sperrfeder auf.

Legen Sie Ihren Finger auf die Spitze dieser Sperrfeder. Ziehen Sie die Sperrfeder etwa 1 cm von dem Zahnrad des Mondziffernblatts weg und lassen Sie los. (Siehe Abbildung 12). Die Sperrfeder und das Ziffernblatt sollten in ihre richtige Position zurückschnappen. Wenn sich die Sperrfeder in ihrer richtigen Position befindet und sich das Mondziffernblatt immer noch nur schwer verstellen läßt, **KEINE GEWALT ANWENDEN**. Wenn sich das Mondziffernblatt noch immer nicht leicht vorwärts bewegen läßt, bedeutet dies, daß die Zahnräder, die das Mondziffernblatt automatisch vorwärts bewegen, eingeklinkt sind. Um dies zu korrigieren, drehen Sie, wie unter dem Abschnitt Montage Ihrer Uhr beschrieben, den Minutenzeiger um drei Stunden zurück.

GARANTIA LIMITADA

Este producto fue fabricado utilizando únicamente los mejores materiales, y ha sido probado y examinado minuciosamente antes de salir de nuestra fábrica.

Howard Miller le garantiza al consumidor/comprador original, o recipiente de este producto, que este reloj estará libre de defectos en material y fabricación bajo uso y servicio normal, por un período de un año a partir de la fecha de compra. La obligación de Howard Miller bajo esta garantía se limitará a la reparación de este producto utilizando componentes nuevos o renovados, o, as su opción, cambiará este producto con uno nuevo o renovado. Esta garantía no incluye daños al producto o sus componentes que son el resultado de abuso, accidentes, alteraciones, condiciones climatológicas o de medio ambiente, o algún daño ocasionado en exceso de uso normal, daños por motivo del transporte, mal uso o reparaciones no autorizadas.

HOWARD MILLER RENUNCIA A CUALQUIER RESPONSABILIDAD POR DAÑOS INCIDENTALES O CONSECUENTES COMO RESULTADO DE UNA VIOLACION DE ESTA GARANTIA U OTRA GARANTIA IMPLICITA. GARANTIAS IMPLICITAS PARA ESTE PRODUCTO REGIRAN UNICAMENTE DURANTE LA DURACION DE LA GARANTIA PROSCRITA ARRIBA, Y DESPUES, NO HABRAN GARANTIAS IMPLICITAS O EXPLICITAS (INCLUYENDO LA APTITUD O CONVENIENCIA PARA UN PROPOSITO EN PARTICULAR) EN ESTE PRODUCTO.

Algunos estados no permiten limitaciones en cuanto a la duración de una garantía implícita, o de daños incidentales o consecuentes; por lo tanto, es posible que la limitación anterior lo excluya a Ud. Esta garantía le ofrece derechos legales específicos, y es posible que Ud. cuente también con otros derechos que varían de estado a estado.

INFORMACIÓN DE SERVICIO

Antes de demandar servicio, asegúrese de haber seguido cuidadosamente todas las instrucciones provistas con su producto Howard Miller. Estas instrucciones le proporcionarán información detallada que contestará la mayoría de preguntas. Póngase en contacto con la página web de Howard Miller (www.howardmiller.com) donde hallará una lista de las preguntas más frecuentes y que pueden resolver fácilmente su problema o responder a su pregunta. La mayoría de problemas pueden ser resueltos rápidamente sin devolver el reloj para darle servicio. Antes de llamar, tenga a mano estas instrucciones y la siguiente información:

Número del modelo: _____ Número de serie: _____ Fecha de compra: _____ Lugar de compra _____
El número del modelo y de la serie pueden encontrarse en la etiqueta de información del producto (vea Información general) (Una copia de la factura original de venta o una prueba de compra o un recibo con fecha)

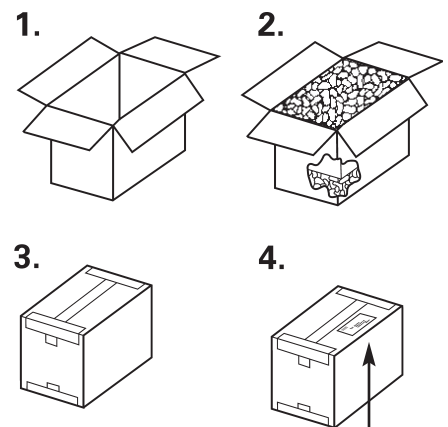
Descripción breve del problema: _____

PROCEDIMIENTO PARA OBTENER SERVICIO DE REPARACIÓN

- En el caso improbable de que su reloj presente anomalías o requiera reparación, en NORTEAMÉRICA por favor llame a uno de nuestros técnicos en reparación al (616) 772-7277 (extensión 386). FUERA DE NORTEAMÉRICA por favor llame a su distribuidor o agente.
- Tenga a mano una copia de la factura original de venta o una prueba de comprar o un recibo con fecha.
- Tenga a mano el número del modelo y de la serie de Howard Miller y una descripción completa del problema.
- Se requiere una autorización de devolución para todas las devoluciones a Howard Miller. Si se le autorizó para devolver el producto a Howard Miller, se le proporcionará un número de autorización de devolución (# RGA). Las devoluciones sin autorización previa pueden estar sujetas a costos y demoras adicionales.

Si es necesario devolver, por favor empaque el producto en el embalaje ORIGINAL. Si no lo empaqueta apropiadamente, el artículo puede dañarse lo cual no está cubierto bajo la garantía. Usted debería conseguir seguro del embarque de devolución. Si no se dispone del embalaje ORIGINAL, siga las siguientes instrucciones:

1. Empaque el artículo en un cartón corrugado y rígido. Este cartón debe ser más grande que el artículo y debería tener al menos cuatro pulgadas de espacio entre el reloj y cada pared del cartón, para que permita insertar material amortiguador adecuado.
2. Coloque el artículo en el cartón.
 - Envuelva el artículo en una funda plástica.Nota en caso de daño en el vidrio: Antes de empacar el artículo para su devolución debe retirar todo el vidrio roto. Si no lo hace puede provocar mayores daños al reloj que no estarían cubiertos por la garantía.
 - Llene a nivel las cuatro pulgadas inferiores del cartón con material amortiguador. Este material podría incluir bolitas de espuma, periódico firmemente apretujado u otro material similar.
 - Coloque el artículo en el centro del cartón encima del material amortiguador.
 - Dentro del cartón incluya lo siguiente junto con el artículo: el motivo de devolución del producto, el número RGA y una copia de la factura original de venta.
 - Llene los espacios vacíos alrededor del artículo usando suficiente material amortiguador adicional para que el contenido no pueda moverse ni cambiar de sitio durante el transporte.
3. Selle bien el cartón con sellador para cartón o cinta de embalaje. NO use cinta adhesiva de pintores(masking) ni cinta de celofán.
4. Marque claramente en el exterior del cartón la dirección completa de embarque, incluyendo el código postal(zip code) y la dirección completa del remitente incluyendo su código postal. Por favor incluya en número de autorización de devolución (# RGA), encima de su nombre, en la etiqueta de la dirección.



Número de autorización de devolución
Su dirección aquí

Howard Miller Company
Attn: Customer Repair
860 East Main Ave.
Zeeland, Michigan 49464-1300
USA

PARA SERVICIO NO INCLUIDO EN LA GARANTIA

Se le cobrará por el servicio: a) en caso de no presentar una factura u otra documentación, b) en caso de seguir las instrucciones, c) si se encuentra vencida la garantía, o d) si por alguna otra razón queda fuera del ámbito de la Garantía Limitada.

AJUSTES MENORES NO CUBIERTOS POR LA GARANTIA

El servicio de reparación y/o piezas para corregir los ajustes menores siguientes están a cargo del consumidor:

1. **El “armado”.** Instrucciones para armar su reloj fueron incluidas con su producto Howard Miller.
2. **El aceiteado y la limpieza del mecanismo.** El mecanismo de su reloj es una pieza mecánica, y por lo tanto, requiere de aceite y limpieza en manera regular, dependiendo de las condiciones climatológicas. Bajo circunstancias normales el mecanismo requiere aceite de alta calidad para relojes aproximadamente cada dos años a partir de la fecha de compra. Favor de contactar una persona calificada, o un centro de servicio autorizado por Howard Miller para este servicio.
3. **Sustitución del Resorte de Suspensión.** Las instrucciones para sustitución de este artículo fueron incluidas con su reloj. Favor de devolver el resorte roto a Howard Miller para que pueda ser identificado. Los resortes nuevos son de Howard Miller.
4. **Ajustes al Péndulo, la Hora, y los Martillos.** Las instrucciones para estos ajustes se encuentran incluidos en esta publicación.

DAÑOS DE FLETE NO INCLUIDOS EN LA GARANTIA

Es la responsabilidad del consignatario reclamar daños directamente con el transportista. Si la caja tiene “daños visibles”, pídale al chofer que anote el daño en la factura. Si la caja no tiene algún daño visible, pero el reloj fué dañado durante el transporte, notifique al transportista y pídale que dentro de 14 días se realice una inspección y reporte de daño (en los Estados Unidos). En otro país, siga el método comunmente usado para este tipo de problemas.

GARANTIE LIMITÉE

Ce produit a été fabriqué en utilisant uniquement les meilleures matières et a fait l’objet d’essais approfondis avant de quitter l’usine.

Howard Miller garantit au consommateur ou à l’acheteur original, ou à la personne recevant ce produit qu’il ne comporte aucun vice de matériel ou de confection pendant d’ période d’un an ans à compter de la date d’achat lorsqu’il fait l’objet d’une utilisation et d’un entretien normaux. L’obligation de Howard Miller aux termes de la présente garantie est limitée à la réparation du produit avec des composants neufs ou remis à neuf ou, à sa seule discrétion, à son remplacement par un produit neuf ou remis à neuf. Cette garantie ne couvre pas les dommages subis par le produit ou ses composants à la suite d’abus, d’accident, d’altération, d’exposition aux mauvaises conditions climatiques ou environnementales, ni les dommages excédant l’usure normale, ceux causés en cours d’expédition ou par suite d’une mauvaise manutention, d’une utilisation incorrecte ou d’une réparation non autorisée.

HOWARD MILLER NIE TOUTE RESPONSABILITÉ EN MATIÈRE DE DOMMAGES INDIRECTS OU CONSÉCUTIFS RÉSULTANT DU NON RESPECT DE LA PRÉSENTE GARANTIE OU DE TOUTES GARANTIES IMPLICITES. CES DERNIÈRES NE SONT EN VIGUEUR QUE PENDANT LA DURÉE DE LA GARANTIE EXPRESSE ÉNONCÉE CI-DESSUS. PAR LA SUITE, LE PRODUIT N’EST COUVERT PAR AUCUNE GARANTIE EXPRESSE OU IMPLICITE (Y COMPRIS LA GARANTIE DE VALEUR MARCHANDE ET DE CONFORMITÉ À UN USAGE PARTICULIER).

Certains états ne permettent pas l’exclusion ou la limitation des dommages indirects ou consécutifs, ou la limitation de durée d’une garantie implicite. Par conséquent, il est possible que les limitations et exclusions édictées ci-dessus ne vous concernent pas. Cette garantie vous accorde des droits spécifiques. Vous pouvez également bénéficier d’autres droits variant d’un état à l’autre.

INFORMATIONS SUR LES RÉPARATIONS

Avant d’entreprendre une réparation, assurez-vous que toutes les instructions fournies avec votre produit Howard Miller ont été attentivement suivies. Ces instructions offrent des informations détaillées qui répondent à la plupart des questions. Visitez le sit Web de Howard Miller (www.howardmiller.com) pour consulter la liste des questions fréquemment posées qui pourraient simplement résoudre votre problème ou répondre à votre question. La plupart des problèmes peuvent être rapidement résolus sans renvoyer l’horloge à réparer. Avant d’appeler, veuillez vous munir de ces instructions et avoir les informations suivantes à votre disposition :

Numéro de Modèle : _____ Numéro de série : _____ Date d’achat : _____ Lieu d’achat: _____

Les numéros de modèle et de série se trouvent sur l’étiquette d’informations du produit (voir Informations générales)

(Copie de la facture d’achat initial, preuve d’achat ou date de réception)

Brève description du problème : _____

PROCÉDURES D’OBTENTION D’UNE RÉPARATION

- Au cas peu probable où votre horloge semblerait mal fonctionner ou nécessiterait une réparation, EN AMÉRIQUE DU NORD, veuillez appeler l’un de réparateurs au (616) 772-7277 (poste N° 386). EN DEHORS DE L’AMÉRIQUE DU NORD, veuillez appeler votre distributeur ou agent.
- Ayez à votre disposition une copie de la facture originale, une autre preuve d’achat ou la date de réception.
- Munissez vous du numéro de modèle et du numéro de série Howard Miller ainsi que de la description complète du problème.
- Une autorisation de renvoi est requise pour tous les retours à Howard Miller. Si vous avez obtenu une autorisation de renvoyer le produit à Howard Miller, vous avez reçu un numéro d’autorisation (N° RGA). Les retours sans autorisation préalable peuvent être assujettis à des frais et délais supplémentaires.

Si un retour est nécessaire, veuillez placer le produit dans l'emballage ORIGINAL. Un article emballé de façon inappropriée risque de subir des dommages non couverts par la garantie. Vous devriez faire assurer l'expédition de retour. Si l'emballage ORIGINAL n'est pas disponible, veuillez suivre les instructions ci-après.

1. Emballer l'article dans un carton ondulé rigide. Ce carton doit être plus grand que l'article et offrir au moins 10 cm (4 pouces) d'espace entre l'horloge et chaque paroi de carton afin de pouvoir placer des matériaux de rembourrage.

2. Placez l'article dans le carton.

- Enveloppez l'article dans un sac en plastique.

Remarque concernant l'endommagement du carreau : Retirez tous les morceaux de verre cassé avant d'emballer l'article pour son retour. L'inobservation de cette précaution peut entraîner des dommages supplémentaires à l'horloge, non couverts par la garantie.

- Bourrez le fond du carton sur 10 cm (4 pouces) de matériau de rembourrage. Ce matériau peut consister en boulettes de mousse, papier journal bien froissé ou autre matériau similaire.

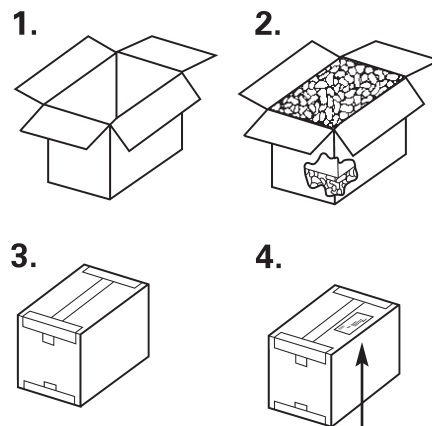
- Placez l'article au centre du carton, par dessus le matériau de rembourrage.

- Enfermez ce qui suit à l'intérieur du carton avec l'article : la raison du retour du produit, le N° RGA et une copie de la facture d'achat initial ou une preuve de l'achat.

- Remplissez l'espace restant autour de l'article et employez suffisamment de matériau de rembourrage supplémentaire pour empêcher l'article de bouger ou de basculer pendant le transport.

3. Fermez soigneusement le carton avec un produit d'étanchéité pour carton ou un ruban adhésif d'emballage, NE vous servez PAS de cache en ruban ni de ruban cellophane.

4. Inscrivez clairement sur l'extérieur du carton l'adresse complète d'expédition, sans oublier le code postal, et votre adresse complète d'expéditeur, y compris le code postal. Veuillez inclure le numéro d'autorisation de renvoi (RGA) au-dessus de votre nom, sur l'étiquette d'envoi.



Autorisation de renvoi N°
Votre adresse ici

Howard Miller Company
Attn: Customer Repair
860 East Main Ave.
Zeeland, Mich 49464-1300
U.S.A.

RÉPARATIONS NON GARANTIES

Vous devrez acquitter les frais de réparation si vous ne fournissez pas de facture ou autre preuve de la date d'achat, si vous ne suivez pas les instructions, si la période de validité de la garantie limitée est échue ou si la réparation excède le cadre.

RÉGLAGES COURANTS NON COUVERTS PAR LA GARANTIE

Les réglages courants suivants ne sont pas couverts par la présente garantie. Les réparations ou les pièces nécessaires pour y procéder sont aux frais du consommateur.

1. **Installation.** Les instructions d'installation ont été fournies avec votre horloge Howard Miller.

2. **Huilage et nettoyage du mouvement mécanique.** Le mouvement de l'horloge est un dispositif mécanique. Par conséquent, il doit faire l'objet d'un huilage et d'un nettoyage périodiques en fonction des conditions climatiques et environnementales. Dans des conditions normales, il doit être huilé avec de l'huile de qualité d'horlogerie environ tous les deux ans à compter de la date d'achat. Veuillez prendre contact avec un réparateur d'horloges qualifié ou un Centre de service Howard Miller autorisé pour y faire procéder.

3. **Remplacement de la lame de suspension.** Les instructions de remplacement ont été fournies avec votre horloge. Veuillez retourner la lame brisée à Howard Miller aux fins d'identification positive.

4. **Réglages du pendule, de l'heure et des marteaux du carillon ou de la sonnerie.** Les instructions de réglage de ces pièces et mécanismes ont été fournies dans cette publication.

DOMMAGES CAUSÉS EN COURS D'EXPÉDITION NON COUVERTS PAR LA GARANTIE :

Le destinataire est responsable de présenter directement au transporteur les réclamations relatives à toute marchandise perdue ou endommagée par ce dernier. Si le carton comporte des "dommages visibles", le destinataire doit indiquer au chauffeur d'en prendre note sur le connaissance. Si le carton contient des "dommages dissimulés", il doit en avertir le transporteur et lui demander par écrit de procéder à une inspection et de produire un rapport dans une période de 14 jours suivant la réception du produit, au risque de perdre ses droits à la réclamation.

BESCHRÄNKTE GARANTIE

Dieses Produkt ist nur aus den feinsten Materialien hergestellt und ist vor dem Verlassen unserer Fabrik gründlich getestet worden.

Howard Miller garantiert dem ursprünglichen Verbraucher/Käufer oder Empfänger, daß dieses Produkt bei normaler Benutzung und normalem Service für ein Jahr ab Kaufdatum frei von Material- und Verarbeitungsfehlern ist. Howard Millers Verbindlichkeit unter dieser Garantie ist auf die Reparatur des Produkts mit neuen oder reparierten Komponenten beschränkt. Das Produkt kann nach dem Ermessen von Howard Miller mit einem neuen oder reparierten Produkt ersetzt werden. Diese Garantie schließt keine Schäden an dem Produkt oder Teilen des Produkts ein, die eine Folge von Mißhandlung, Unfall, Änderung, klimatischen oder umgebungsbedingten Umständen, den normalen Gebrauch überschreitenden Schäden, Frachtschäden, fehlerhafter Handhabung, Mißbrauch und nichtgenehmigter Reparatur sind.

HOWARD MILLER LEHNT JEDE HAFTUNG FÜR DIREKTE ODER INDIREKTE SCHÄDEN AB, DIE AUS EINER VERLETZUNG DIESER GARANTIE ODER GESETZLICHEN GEWÄHRLEISTUNG ENTSTEHEN. GESETZLICHE GEWÄHRLEISTUNGEN FÜR DIESES PRODUKT GELTEN NUR FÜR DIE DAUER DIESER OBEN ANGEgebenEN AUSDRÜCKLICHEN GARANTIE, WORAUF FÜR DIESES PRODUKT KEINE WEITEREN GARANTIEN, WEDER AUSDRÜCKLICHE NOCH MUTMASSLICHE (EINSCHLIESSLICH HANDELSÜBLICHE QUALITÄT ODER EIGNUNG FÜR EINEN BESTIMMTEN ZWECK) GEWÄHRT WERDEN.

In manchen Staaten ist die Ausnahme oder Beschränkung von direkten oder indirekten Schäden oder die Begrenzung für die Geltungsdauer einer Gewährleistung unzulässig. Deshalb ist es möglich, daß die obigen Begrenzungen und Ausnahmen nicht auf Sie zutreffen. Diese Garantie gewährt Ihnen spezifische gesetzliche Rechte und kann andere Rechte mit einschließen, die von Staat zu Staat unterschiedlich sind.

REPARATURINFORMATIONEN

Bevor Sie sich an den Reparaturservice wenden, stellen Sie bitte sicher, dass die mit dem Howard Miller Produkt gelieferte Anleitung gründlich befolgt wurde. Darin werden häufig gestellte Fragen ausführlich beantwortet. Besuchen Sie die Howard Miller Website (www.howardmiller.com) für eine Liste mit häufig gestellten Fragen, die Ihnen ggf. beim Lösen Ihres Problems helfen und Ihre Fragen beantworten können. Die meisten Probleme können ohne Rücksenden der Uhr schnell behoben werden. Halten Sie bitte die Anleitung und folgende Informationen bereit, bevor Sie sich mit dem Kundendienst in Verbindung setzen:

Modellnummer: _____ Seriennummer: _____ Kaufdatum: _____ Verkaufshändler _____

Die Modell- und Seriennummer befindet sich auf dem Produktetikett (siehe allgemeine Informationen).

(Eine Kopie der Originalrechnung, des Kaufbelegs oder der Empfangsbestätigung mit Datum)

Kurze Beschreibung des Problems: _____

VORGEHENSWEISE ZUM ERHALTEN VON REPARATURSERVICE

- Im äußerst seltenen Fall einer Fehlfunktion der Uhr oder falls diese repariert werden muss, wenden Sie sich bitte in NORDAMERIKA an den Reparaturdienst unter der Nummer: (616) 772-7277 (Durchw. 386). AUSSERHALB NORDAMERIKAS wenden Sie sich bitte an Ihren Distributor oder Vertreter.
- Halten Sie eine Kopie der Originalrechnung, des Kaufbelegs oder der Empfangsbestätigung mit Datum bereit.
- Halten Sie die Modellnummer und Seriennummer der Howard Miller Uhr und eine vollständige Beschreibung des Problems bereit.
- Für alle Rücksendungen an Howard Miller ist eine Rücksendegenehmigung einzuholen. Neben der Rücksendegenehmigung für Ihre Howard Miller Uhr wird Ihnen auch eine Rücksendegenehmigungsnummer (RGA-Nr.) zugeteilt. Bei Rücksendungen ohne vorherige Genehmigung können zusätzliche Kosten und Verzögerungen entstehen.

Sollte eine Rücksendung erforderlich sein, senden Sie das Produkt bitte in der ORIGINALVERPACKUNG zurück. Eine unsachgemäße Verpackung des Produkts kann Schäden verursachen, die nicht unter dieser Garantie gedeckt sind. Das Produkt sollte bei der Rücksendung entsprechend versichert werden. Wenn die ORIGINALVERPACKUNG nicht mehr zur Verfügung steht, folgen Sie bitte den nachstehenden Anweisungen:

1. Verpacken Sie den Artikel in einem soliden Wellpappekarton. Dieser Karton sollte groß genug sein und mindestens 10 cm Freiraum zwischen der Uhr und jeder Kartonwand aufweisen, um diesen mit Verpackungsmaterial entsprechend auszupolstern.

2. Setzen Sie den Artikel in den Karton.

- Wickeln Sie den Artikel in eine Plastikhülle ein.

Hinweis für zerbrochenes Glas: Die Rücksendung darf keine Glasscherben enthalten. Diese müssen vorher entfernt werden. Eine Nichtbeachtung dieses Hinweises kann eine zusätzliche Beschädigung der Uhr zur Folge haben, die nicht unter dieser Garantie gedeckt ist.

- Legen Sie den Kartonboden mit einer 10 cm dicken Schicht Verpackungsmaterial aus. Als Verpackungsmaterial können Sie Verpackungschips, fest zusammengepacktes Zeitungspapier oder ähnliches Material verwenden.

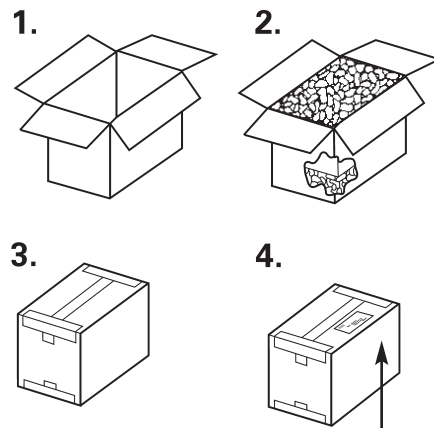
- Setzen Sie den Artikel in die Mitte des Kartons auf das Verpackungsmaterial.

- Fügen Sie dem Karton Folgendes bei: Grund für die Rücksendung des Produkts, RGA-Nr. und Kopie der Originalrechnung bzw. des Kaufbelegs.

- Polstern Sie den verbleibenden Freiraum um den Artikel mit ausreichend Verpackungsmaterial aus, so dass das Produkt während des Transports nicht verrutschen kann.

3. Kleben Sie den Karton gut mit Karton- oder Verpackungsklebeband zu. Verwenden Sie KEIN Kreppband oder Cellophan-Klebeband.

4. Beschriften Sie den Karton deutlich an der Außenseite mit der vollständigen Anschrift des Empfängers, einschließlich PLZ sowie der Anschrift des Absenders mit PLZ. Tragen Sie die Rücksendegenehmigungsnummer (RGA-Nr.) über Ihrem Name im Adressenetikett ein.



Rücksendegenehmigungsnummer
Ihre Anschrift hier

Howard Miller Company
Attn: Customer Repair
860 East Main Ave.
Zeeland, Mich 49464-1300
U.S.A.

REPARATUR-SERVICE BEI HAFTUNGSAUSSCHLUSS

Reparaturdienste werden Ihnen berechnet, wenn kein Rechnungsbeleg oder Kaufdatumsbeweis vorliegt, wenn Anweisungen nicht befolgt worden sind, wenn das Produkt außerhalb des Garantiezeitraums liegt oder sich auf andere Weise außerhalb des Bereichs des Garantiezeitraums befindet.

GERINGFÜGIGE LEISTUNGEN, DIE NICHT VON DER GARANTIE GEDECKT WERDEN

Reparaturen und/oder Ersatzteile für folgende geringfügige Einstellungen gehen zu Kosten des Kunden:

1. **„Aufstellen“.** Aufstellungsanweisungen sind mit Ihrem Howard Miller Produkt mitgeliefert worden.

2. **Ölen und Reinigen des mechanischen Uhrwerks.** Das Uhrwerk in Ihrer Uhr ist eine mechanische Einrichtung und erfordert deshalb je nach den klimatischen und den Umgebungsbedingungen regelmäßiges Ölen und Reinigen. Unter normalen Bedingungen muß ein Uhrwerk etwa alle zwei Jahre ab Kaufdatum mit einem hochwertigen Uhrenöl geölt werden. Bitte wenden Sie sich für diesen Dienst an eine qualifizierte Fachperson oder ein genehmigtes Howard Miller Service Center.

3. **Ersatz der Pendelfeder.** Anweisungen zum Ersatz der Pendelfeder sind mit Ihrem Howard Miller Produkt geliefert worden. Bitte schicken Sie eine gebrochene Pendelfeder an Howard Miller zur entsprechenden Identifizierung zurück. Ersatzpendelfedern sind von Howard Miller.

4. **Einstellungen für Pendel, Zeiteinstellung und Viertelstunden- oder Stundenschlaghammer.** Anweisungen für diese Einstellungen sind in diesem Heft enthalten.

NICHT UNTER DIESE GARANTIE FALLENDE FRACHTSCHÄDEN:

Der Empfänger ist dafür verantwortlich, alle Frachtverluste oder -schäden direkt an den Spediteur zu melden. Wenn der Karton Zeichen von "sichtbarem Schaden" zeigt, weisen Sie den Fahrer an, den Schaden auf dem Lieferschein zu vermerken. Wenn der Karton "Verborgener Schaden" enthält, benachrichtigen Sie den Spediteur und beantragen Sie schriftlich innerhalb von zwei Wochen nach Empfang der Ware eine Spediteurinspektion und einen Schadensbericht. Bei Nichtbenachrichtigung des Spediteurs innerhalb von 2 Wochen nach Empfang der Ware kann es sein, daß Sie möglicherweise auf Schadenersatzansprüche verzichten.



**HOWARD
MILLER®**

860 East Main Avenue Zeeland, Michigan 49464-1300
www.howardmiller.com

© Copyright Howard Miller